

**AXOR Edge**  
**Single lever basin mixer 130 with push-open waste set - diamond cut**  
 Surfaces: **Chrome** Article Number: **46011000**



## Description

### product features

- consists of: single lever basin mixer, waste set
- ComfortZone 130
- projection 160 mm
- normal spray
- flow rate at 3 bar: 5 l/min
- ceramic cartridge
- temperature limitation adjustable
- suitable for continuous flow water heaters
- push-open waste set G 1¼
- material waste set: metal
- connection type: G ¾ connections
- connection dimension: DN15
- DVGW NW-6506CU0168
- P-IX 29546/IO
- ACS 18 ACC LY 594, valide jusqu'au 17.10.2023
- WRAS 1907354
- KCW-2018-0161\_WTM\_WSW
- Kiwa K6161\_Mechanical Mixers EN817

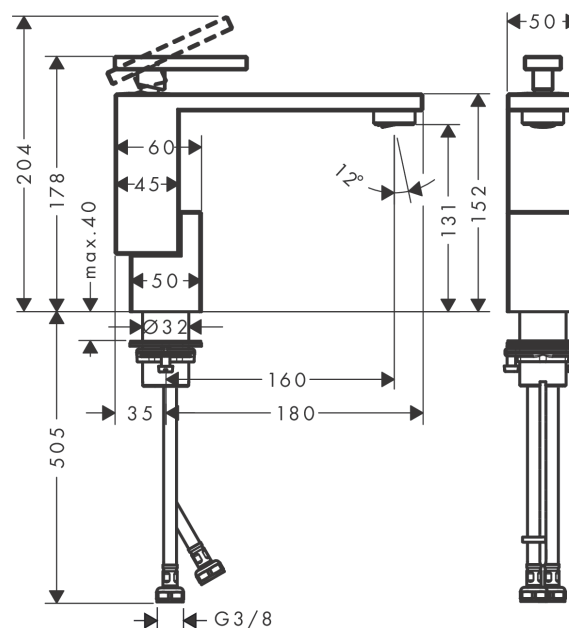
## Technology



## Product image



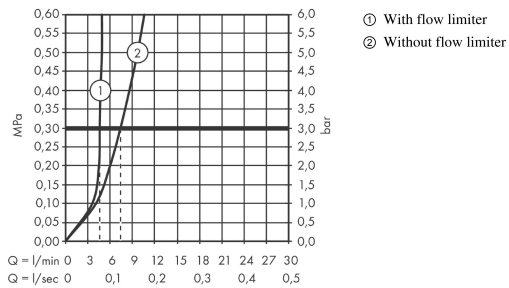
## Scale drawing



**AXOR Edge**  
**Single lever basin mixer 130 with push-open waste set - diamond cut**  
 Surfaces: **Chrome** Article Number: **46011000**



## Flowchart

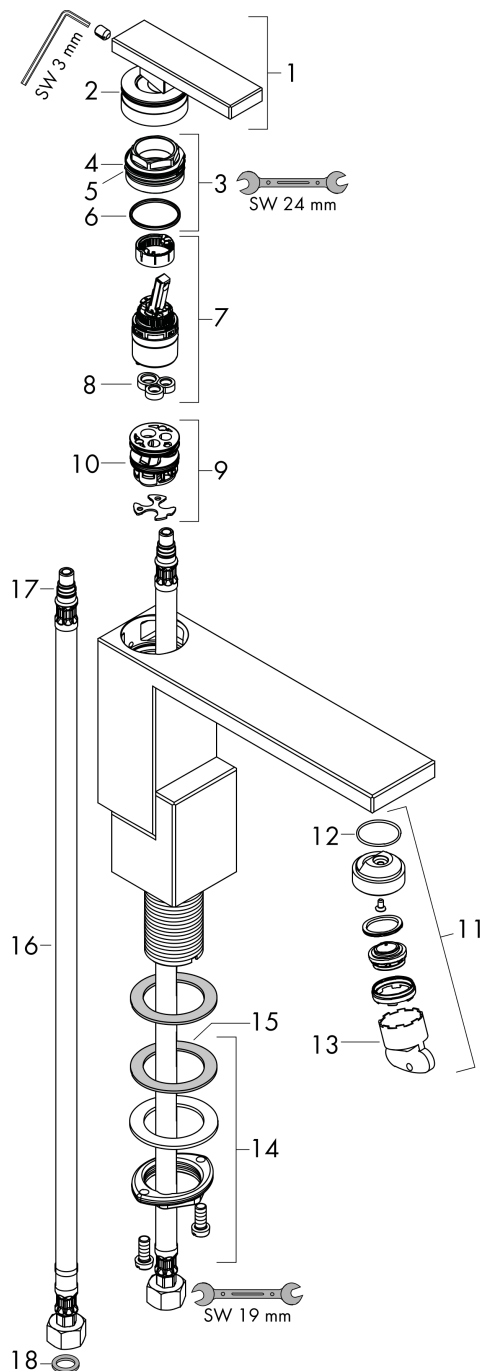


**AXOR Edge**  
**Single lever basin mixer 130 with push-open waste set - diamond cut**  
 Surfaces: **Chrome** Article Number: **46011000**



## Exploded Drawing

Year of production: >06/19



## AXOR Edge

**Single lever basin mixer 130 with push-open waste set - diamond cut**

Surfaces: **Chrome** Article Number: **46011000**



### Spare part list

Year of production: >06/19

Pos.	Description	Article Number	PC	PU
1	handle	93422000	0	1
2	O-ring 33x1,5	98164000	0	1
3	nut	92926000	0	1
4	O-ring 30x1,5	98433000	0	1
5	O-ring 29x2	98391000	0	1
6	O-ring 25x1,5	98146000	0	1
7	cartridge, assy	92900000	0	1
8	seal	93383000	0	1
9	adapter for cartridge	98866000	0	1
10	O-ring 23x2	98398000	0	1
11	aerator M24x1 (5 l/min)	93426000	0	1
12	O-ring 22x1,2	98397000	0	1
13	service tool	95661000	0	1
14	fixing set (Ø 32)	13961000	0	1
15	lever collar	97548000	0	1
16	connection hose 600 mm M8x0,75 G3/8	96556000	0	1
17	O-ring 7x1,5	98422000	0	1
18	sealing set	95581000	0	1
a	push-open waste set	51300000	0	1
b	fixation extension 35 mm	13898000	0	1