

MTI BASICS® TUBS

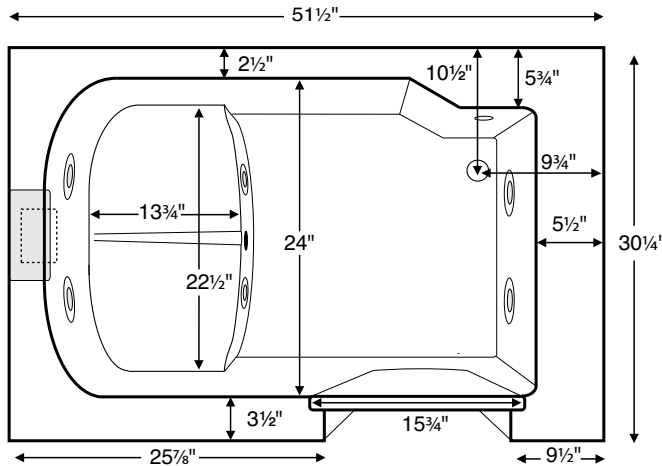
MBWI5030

Walk-in Tub

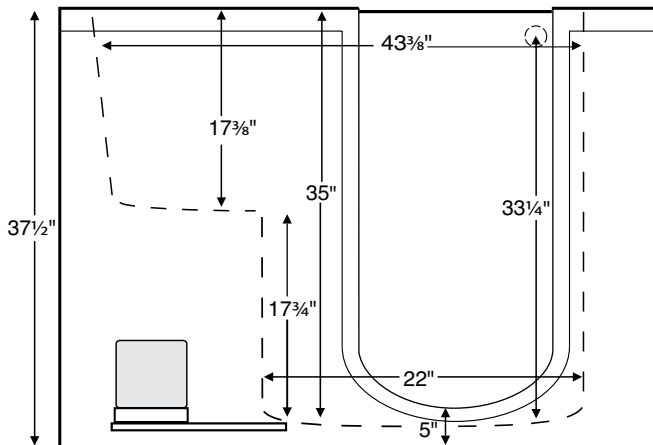
51.5" x 30.25" x 37.5"

Installation: Alcove

cannot be undermounted



Shown with Whirlpool Package and right-hand drain location.



PLEASE CHECK LOCAL CODES PRIOR TO PURCHASING:

As a unit, this tub is not CSA or UL listed, although many of the system components may carry their own listings and/or certifications.

GENERAL SPECIFICATIONS:

Material	Gelcoat (tub shell); Acrylic (skirting)
Plumbed Weight	190 lbs / 86 kg
Soaker Weight	165 lbs / 75 kg
Average Fill	60 gal to above jet level
Maximum Fill	90 gal to overflow

NOTE: Filling this tub to the maximum may require an above average size or dedicated water heater.

ELECTRICAL SPECIFICATIONS:

Required Electrical Service	110 Volt
Air Bath or Whirlpool	1-15 amp GFCI
Air Bath or Whirlpool with Radiance	1-15 amp GFCI
Whirlpool with Inline Heater	1-15 amp GFCI
Whirlpool w/Inline Heater & Radiance	2-15 amp GFCI
Soaker with Inline Heater	1-15 amp GFCI
Soaker with Inline Heater & Radiance	2-15 amp GFCI
Air Bath with Inline Heater	2-15 amp GFCI
Air Bath with Inline Heater & Radiance	2-15 amp GFCI
Combo	2-15 amp GFCI
Combo with Inline Heater	2-20 amp GFCI
Combo with Inline Heater & Radiance	2-20 amp GFCI



Front View.

Shown with Factory-Installed Valve Package and optional end panel.

Continued on next page.

IMPORTANT INFORMATION

- Before ordering or installing, please consider future access to equipment.
- Jet, pump & blower locations are predetermined and cannot be changed.
- Suction and control locations may vary.
- Specifications and configurations are subject to change without notice.
- Measurements are $\pm 1/2"$ and are subject to change without notice.
- Measurements herein supersede all others published prior to publication date shown below.



PACKAGES AND OPTIONS

Hydrotherapy Package	Package Contents	Part #
Soaker Packages	soaking bath - no jets	MBSWI5030NV
	soaking bath - no jets; with valve package	MBSWI5030
	soaking bath - no jets; with Radiance bath surface heating system	MBSWIR5030NV
	soaking bath - no jets; with valve package and Radiance bath surface heating system.	MBSWIR5030
Whirlpool Packages	6 point-massage jets, 1-bhp pump	MBWWI5030NV
	6 point-massage jets, 1-bhp pump; with valve package	MBWWI5030
	4 point-massage jets, 1-bhp pump; with Radiance bath surface heating system	MBWWIR5030NV
	4 point-massage jets, 1-bhp pump; with valve package and Radiance bath surface heating system	MBWWIR5030
Air Bath Packages	20 air jets, heated air blower	MBAWI5030NV
	20 air jets, heated air blower; with valve package	MBAWI5030
	20 air jets, heated air blower; with Radiance bath surface heating system	MBAWIR5030NV
	20 air jets, heated air blower; with valve package and Radiance bath surface heating system	MBAWIR5030
Combo Packages	6 point-massage jets, 1-bhp pump, 20 air jets, heated air blower	MBCWI5030NV
	6 point-massage jets, 1-bhp pump; 20 air jets, heated air blower; with valve package	MBCWI5030
	4 point-massage jets, 1-bhp pump; 20 air jets, heated air blower; with Radiance bath surface heating system	MBCWIR5030NV
	4 point-massage jets, 1-bhp pump; 20 air jets, heated air blower; with valve package and Radiance bath surface heating system	MBCWIR5030

OPTIONS

Standard Color - White

Color Upgrade - Biscuit (MTISCOLOR)

Inline Heater - Whirlpool (HTRMTIS)

Inline Heater with Pump - Soaker or Air Bath (MBHTISOAK)

Acrylic End Panel (qty. 1) - (SKAW25)

10" Tub Extension Panel (to accommodate 60" openings) - (SKGIW)

Tile Flange (factory installed ABS material) -

3 sides (MBTFK3), 2 sides (MBTFK2), 1 side (MBTFK1)

CONSTRUCTION AND STANDARD FEATURES FOR ALL WALK-IN TUB CONFIGURATIONS

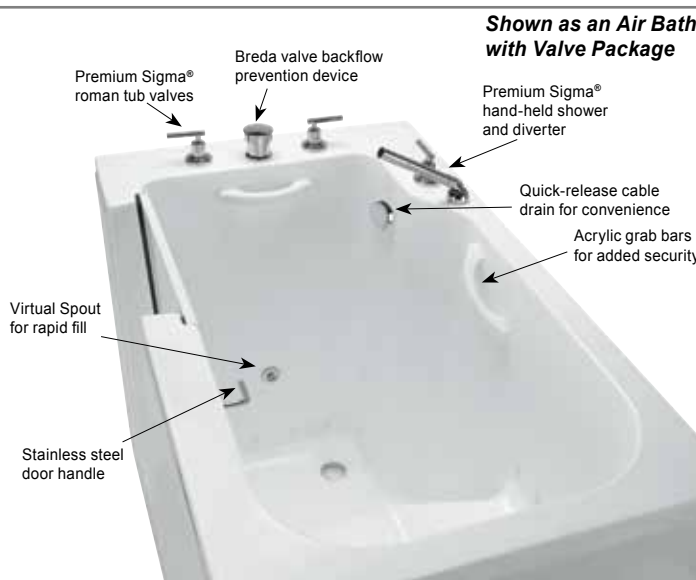
- Constructed of fiberglass / titanium / resin with a marine-grade high-gloss gelcoat finish.
- Stainless steel structural frame with 6 leveling legs.
- Front removable acrylic panels for equipment access if necessary.
- Left- or right-hand drain location (must specify when ordering).
- Light-weight marine-grade door with easy-to-latch stainless steel hardware.
- 2 acrylic grab bars for security.
- Quick release cable drain included in chrome finish.
- Textured bottom meets ASTM F-462-1994 slip resistance.
- 2-year residential warranty.
- Virtual spout only available with valve package and jet relocation.

FEATURES AND BENEFITS OF VALVE PACKAGE:

- Premium Sigma® Roman tub valves with deck-mounted hand shower and diverter valve (available in chrome finish).
- Virtual Spout high-flow tub filler is mounted on an inside wall of tub. Virtual Spout eliminates potential obstacle of a filling spout for mobility-challenged individuals.
- Breda valve backflow prevention device, installed on the tub deck, prevents backflow into the fresh water supply. (Required with Virtual Spout since it is installed below water level.)

FEATURES AND BENEFITS OF RADIANCE:

- Radiance is designed to warm the interior surface of the tub, using electric heating grids for the backrest area and seat of the tub. Grids are integrated in the acrylic shell structure.
- Low-voltage design. Uses energy equivalent to a standard light bulb. Designed to remain on at all times to ensure a warm surface during entry and throughout the bathing process.



Shown as an Air Bath with Valve Package