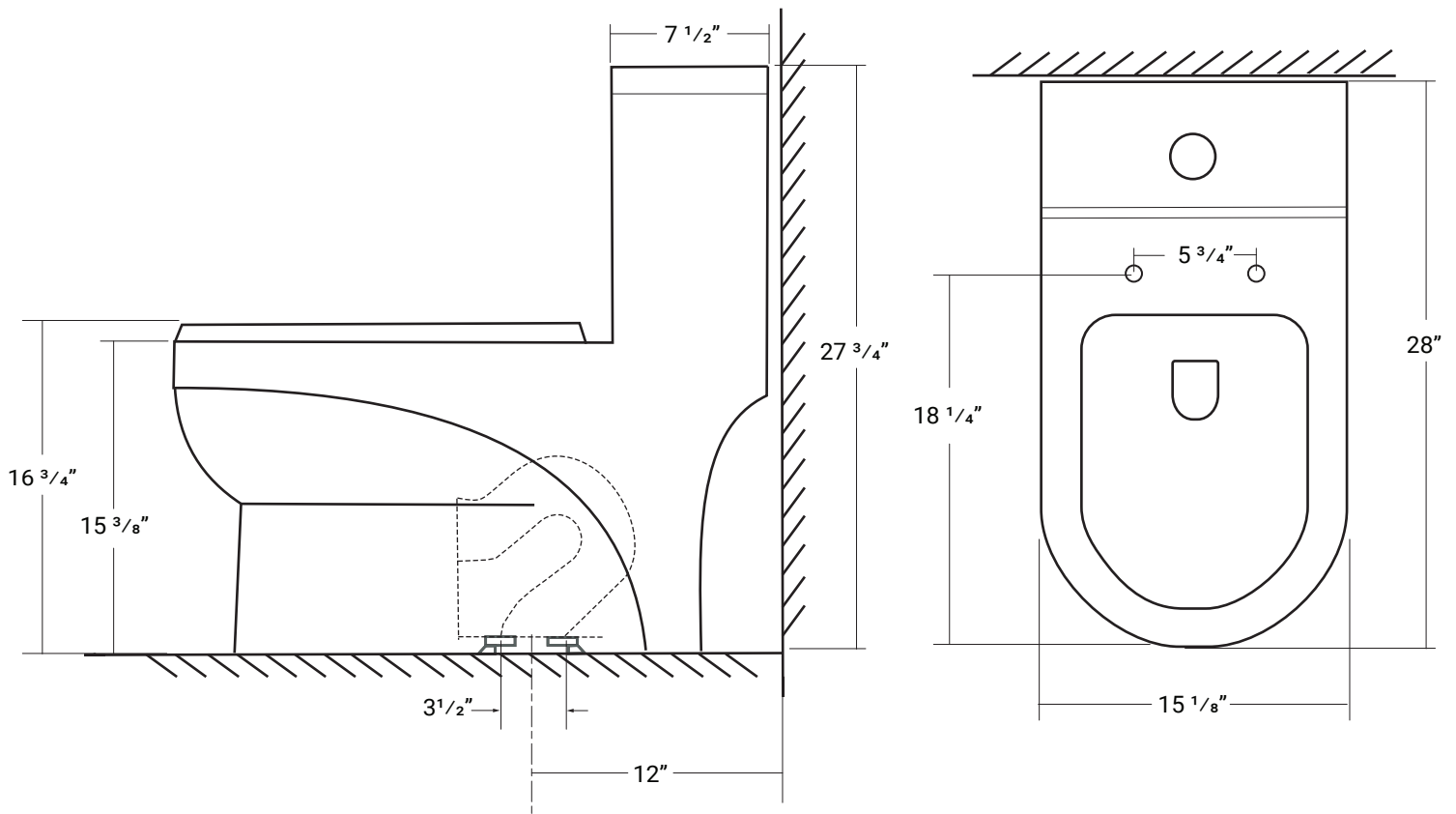


ACRITEC

TOILETS, ONE PIECE

31205

28" x 15 1/8" x 27 3/4"



REV. 9/8/2017

*Drawings are not to scale

*All measurements are ±1/4"

In keeping with our policy of continuing improvement, Acri-tec industries Corp. reserves the right to change product specifications without notice.

Acri-tec Industries Corp.



Toll free: 1 (877) 464-3100 e-mail: sales@acritec.com www.acritec.com

ACRITEC

TOILETS, ONE PIECE

31205

28" x 15 1/8" x 27 3/4"

PRODUCT SPECIFICATIONS

- Siphonic flush action.
- Single flush, 4.8L per flush.
- 12" Rough-in.
- Elongated bowl.
- 1 Year limited manufacturer's warranty included.

DESIGN FEATURES

- One piece design.
- Soft closing seat cover.
- Concealed trap.