

# TOTO®

# TL794DDLQ

## Nexus® Widespread Lavatory High-Efficiency Faucet, 1.5 gpm

### FEATURES

- WaterSense certified low-flow 1.5 gpm faucet
- Lever handles
- Solid brass construction
- Ceramic disk valve cartridge
- Accommodates 8"-16" spread
- Metal pop-up drain assembly included

### COLORS/FINISHES

- #CP Polished Chrome
- #BN Brushed Nickel
- #PN Polished Nickel



### CODES/STANDARDS

- Meets or exceeds ASME A112.18.1/CSA B125.1, NSF 61-9
- Certifications: IAPMO(cUPC), EPA WaterSense, State of Massachusetts and others
- Code Compliance: UPC, IPC, NSPC, NPC Canada, and others
- Legislative compliance: California AB1953, Vermont S.152 & Maryland HB. 372, California Green Building Code, City of Los Angeles Water Efficiency Ordinance
- ADA compliant
- Complies with CA Prop 65 warning requirements



### PRODUCT SPECIFICATION

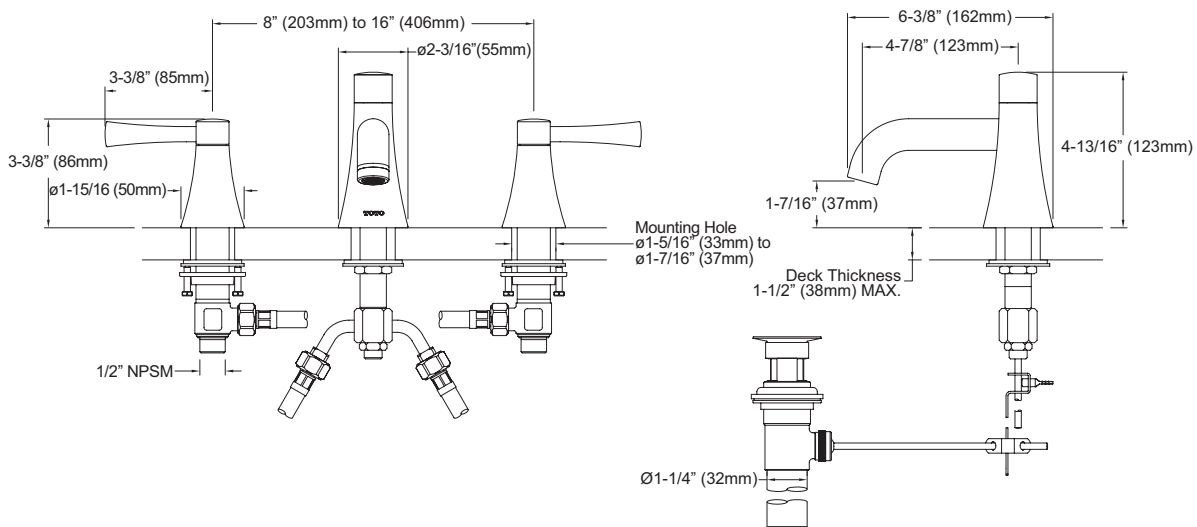
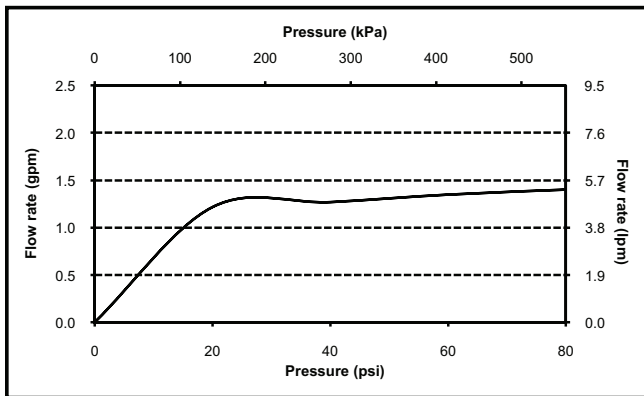
The widespread lavatory faucet shall have a maximum flow rate of 1.5 gpm (5.7 lpm). Product shall have lever handles. Product shall have a solid brass construction. Product shall have a ceramic disk valve cartridge. Product shall accommodate 8"-16" spread. Product shall include metal pop-up drain assembly. Product shall be compliant with California AB1953, Vermont S.152 & Maryland HB. 372. Product shall be TOTO Model TL794DDLQ#\_\_\_\_\_.

# TL794DDLQ

## Nexus® Widespread Lavatory High-Efficiency Faucet, 1.5 gpm

### SPECIFICATIONS

- Warranty Lifetime Limited Warranty (Residential Use)  
One Year (Commercial Use)
- Material Brass
- Shipping Weight 8.6 lbs.
- Shipping Dimensions 14-1/4" L x 12-1/4" W x 2-3/4" H
- Maximum Flow Rate 1.5 gpm (5.7 lpm)



**TOTO®**

These dimensions and specifications are subject to change without notice