

ACRITEC

BATHTUBS, SKIRTED

LH 41399, RH 41400

60" x 32" x 23 1/4"

SIMPLICITY 6032 PURE



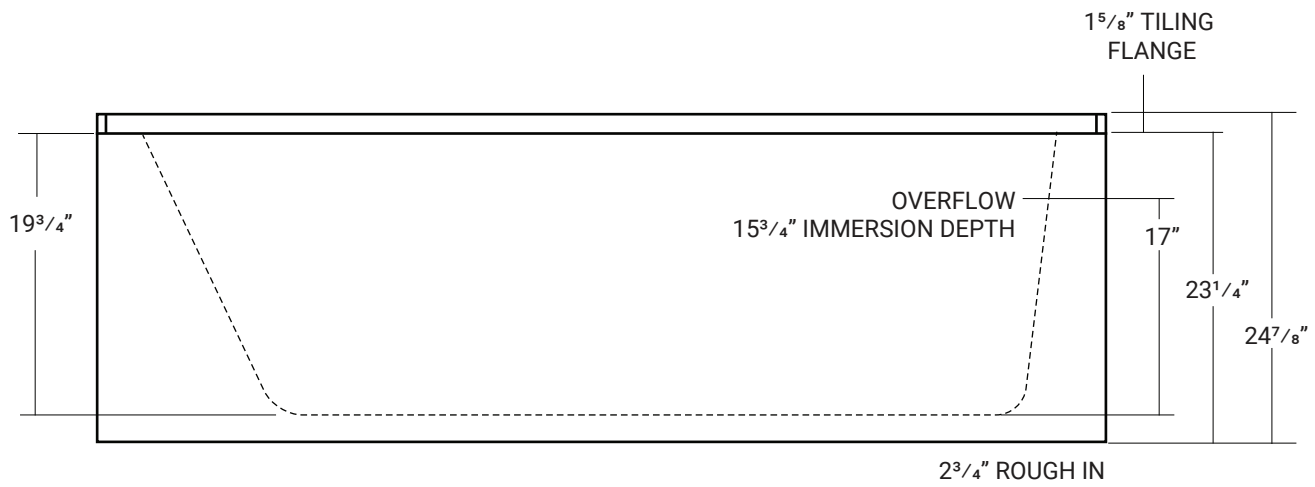
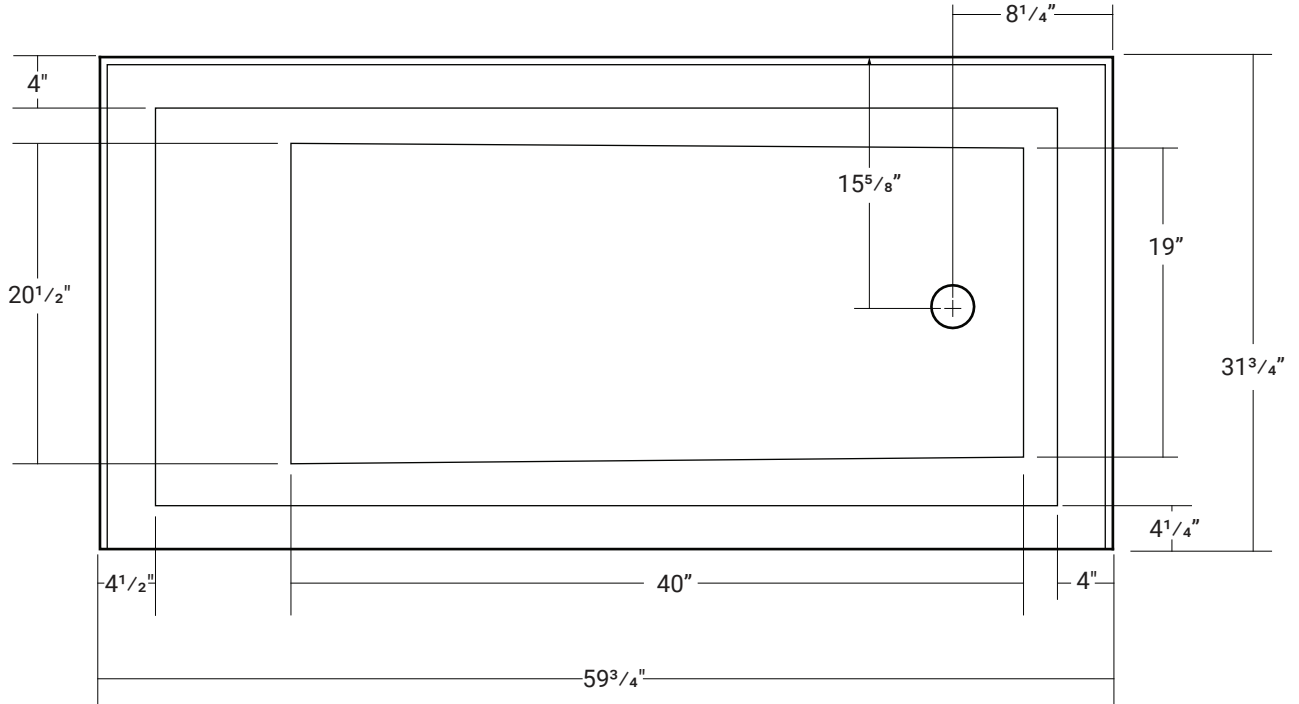
ACRITEC

BATHTUBS, SKIRTED

LH 41399, RH 41400

60" x 32" x 23 1/4"

SIMPLICITY 6032 PURE



REV. 8/18/2017

*Drawings are not to scale

*All measurements are ±1/4"

In keeping with our policy of continuing improvement, Acritec Industries Corp. reserves the right to change product specifications without notice.

Acritec Industries Corp.



Toll free: 1 (877) 464-3100 e-mail: sales@acritec.com www.acritec.com

ACRITEC

BATHTUBS, SKIRTED

LH 41399, RH 41400

60" x 32" x 23 1/4"

SIMPLICITY 6032 PURE

PRODUCT SPECIFICATIONS

- 100% Acrylic with fibreglass and wood reinforcement.
- Leveling feet included.
- Integral 1 5/8" tiling flange.
- Available in white.
- Minimalist interior.
- Drain hole =2" (drain not included).
- Overflow hole =2 1/4" (overflow not included).
- 2 3/4" Above floor rough in.
- 1 Year limited manufacturer's warranty included.



DESIGN FEATURES

- Designed for alcove installations.
- Available in both left end drain (LH) or right end drain (RH).
- Gently sloping lumbar support.
- Above floor rough-in compatibility.



AVAILABLE UPGRADES

- Water and or air jetting systems.
- Comfortwarm™ heated Lumbar /backrest.
- Removal of the front apron.
- For a wood apron version please refer to model# 41393(LH) & 41394 (RH).



COMFORT WARM™



CHROMA THERAPY



WATER JET



AIR JET



PURE CAST ACRYLIC

ACCESSORIES AND UPGRADES	ITEM No.
Chromotherapy lights	01020
Lateral air jets, white	00021
Lateral air jets, chrome	00024
Illusion air jets, white	00031
Inline whirlpool heater	00171
ComfortWarm™ heated backrest	01040
Remove apron	02000
Remove apron, add 1/2" setback wood apron	02010