

**Item # 41077 (LH)
41078 (RH)**

ROBSON II Pure ACRYLIC SKIRTED BATHTUB

60" x 32" x 20"



DESIGN FEATURES

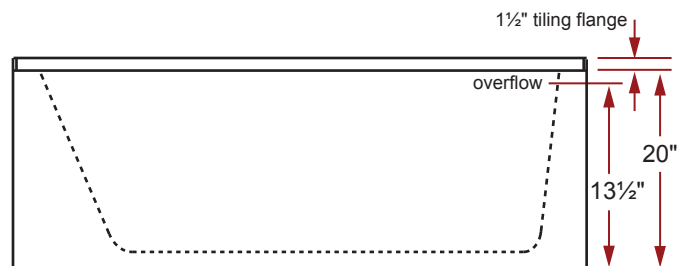
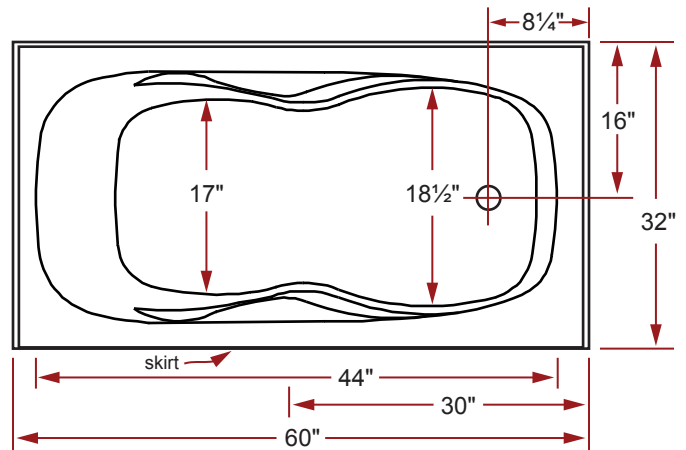
- Designed for alcove installations.
- Available in both left end drain (LH) or right end drain (RH).
- Gently sloping back and arm rests.
- Lightly textured interior bottom.
- Available upgrades:
 - Water and/or air jetting systems.
 - Item # 02000 - Remove front skirt.
 - Item # 02010 - Remove skirt and install wooden panel for tiling (standard 1/2" setback).

PRODUCT SPECIFICATIONS

- 100% acrylic with fibreglass and wood reinforcement.
- Leveling feet included.
- Integral 1 1/2" double tiling flange.
- Available in white.
- Contoured interior with rectangular skirt design.
- Drain hole = 2" (drain not included)
- Overflow hole = 2 1/4" (overflow not included)
- Faucets sold separately.
- 1 year limited manufacturer's warranty included.

DIMENSIONS

- Diagrams not to scale.
- All measurements $\pm 1/4$ ".



This product complies with CSA Standards

In keeping with our policy of continuing product improvement, Acri-Tec Industries Corp. reserves the right to change product specifications without notice.