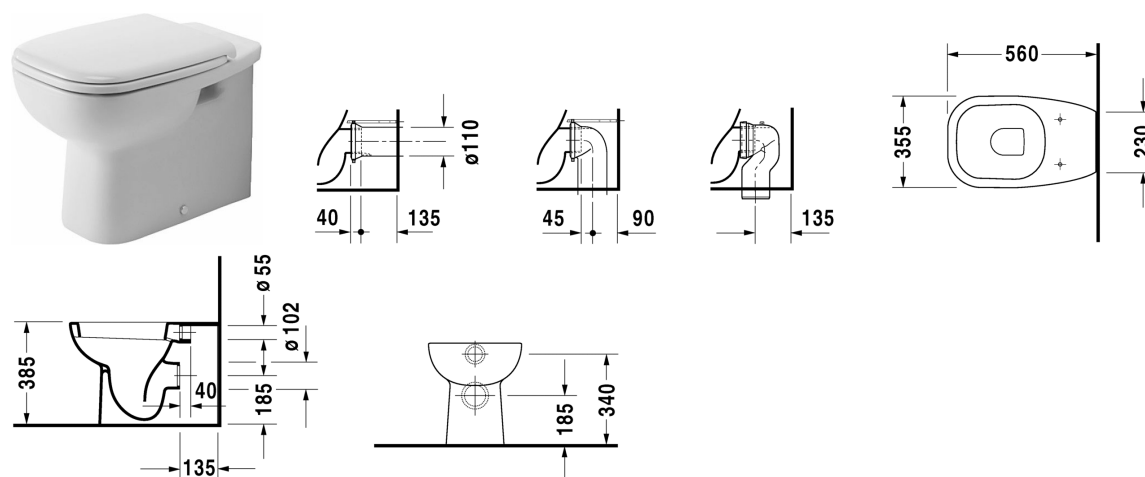


D-Code Toilet floor standing # 211509..002 / 211509..002

| < 355 mm > |



Toilet floor standing	Dimension	Weight	Order number
back to wall, for independent water supply, washdown model, fixings included, horizontal outlet, UWL class 2			
Colors			
00 White Alpin 20 HygieneGlaze (an antibacterial ceramic glaze that provides almost indefinite effectiveness)			
Variant			
♣ 6,0 l	355 x 560 mm	22.000 kilogram	211509..002
♣ 6,0 l	355 x 560 mm	22.000 kilogram	211509..002
Suitable products			
Toilet seat and cover hinges plastic, with soft closure,			006739
Toilet seat and cover hinges stainless steel, without soft closure,			006731

All drawings contain the necessary measurements which are subject to standard tolerances. They are stated in mm and are non-binding. Exact measurements, in particular for customised installation scenarios, can only be taken from the finished piece.