



Single hole lavatory faucet
MZS01XX



Specifications

Descriptions

- Ceramic cartridge
- Push drain
- 3/8" speedway compression

Available colors

- C : Chrome

Available flows

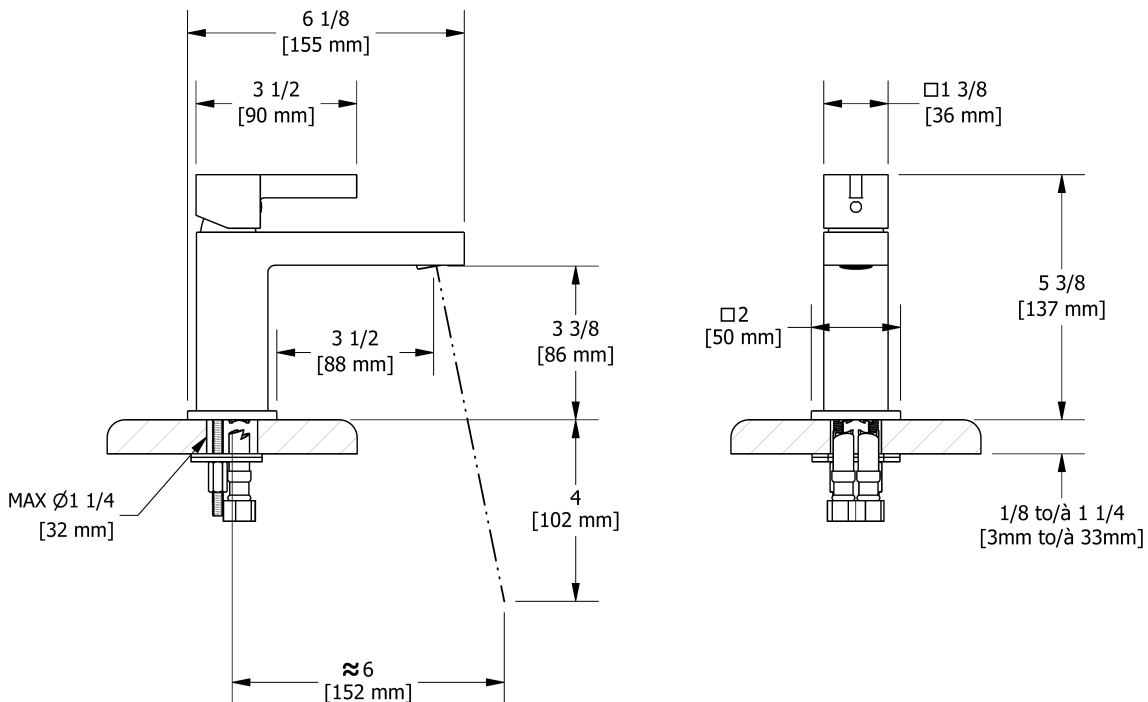
- 5.7 L/min, 1.5 gpm (US) 60psi
- 1.9 L/min, 0.5 gpm (US) 60psi (**MZS01XX-05**)
- 3.7 L/min, 1 gpm (US) 60psi (**MZS01XX-10**)

Cartridge

- 401-121

Certifications

- CSA B125.1
- NSF/ANSI standard 61 and 372
- ASME A112.18.1
- CMR248 Approval
- ADA



Sizes, models and finishes may differ from those presented.

Warranty

This Riobel Inc. product you have purchased carries a **Limited lifetime warranty on the chrome, PVD finished and all working parts** and is guaranteed from the initial purchase date against all **manufacturing defects**. All other finishes including plastic component are guaranteed for one year. All electric and/or electronic parts are covered by a 1-year limited warranty.

Customer Service

Ontario, West Canada : 888-287-5354 Quebec, Maritimes, United States : 866-473-8442