



4-piece deck-mount tub filler with hand shower  
**PFTQ12TXX**



# Specifications

## Descriptions

- 1-jet hand shower/scale-free
- Ceramic cartridge
- 1/2" inlet male NPT or sweat
- Drilling holes diameter = 4x 1 1/4 (32mm)

## Available colors

- C : Chrome

## Available flow

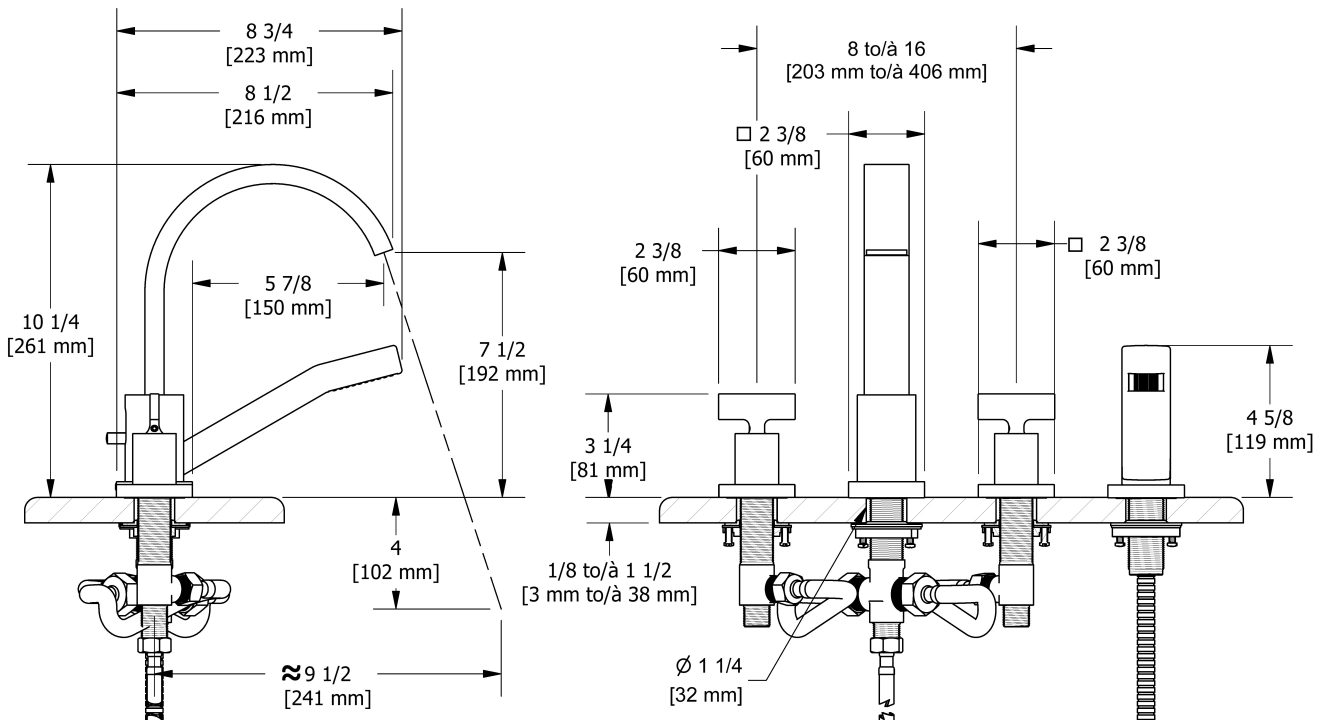
- 41.5 L/min, 11 gpm (US) 60psi

## Cartridge

- Cold: #401-080 - Hot: #401-079

## Certifications

- CSA B125.1
- ASME A112.18.1
- CMR248 Approval
- ADA



Sizes, models and finishes may differ from those presented.

## Warranty

This Riobel Inc. product you have purchased carries a **Limited lifetime warranty on the chrome, PVD finished and all working parts** and is guaranteed from the initial purchase date against all **manufacturing defects**. All other finishes including plastic component are guaranteed for one year. All electric and/or electronic parts are covered by a 1-year limited warranty.

## Customer Service

Ontario, West Canada : 888-287-5354 Quebec, Maritimes, United States : 866-473-8442