



8" wall-mount lavatory faucet  
**PFTQ03TXX**



## Specifications

### Descriptions

- ½" inlet female NPT
- Ceramic cartridge
- No drain

### Available colors

- C : Chrome

### Available flows

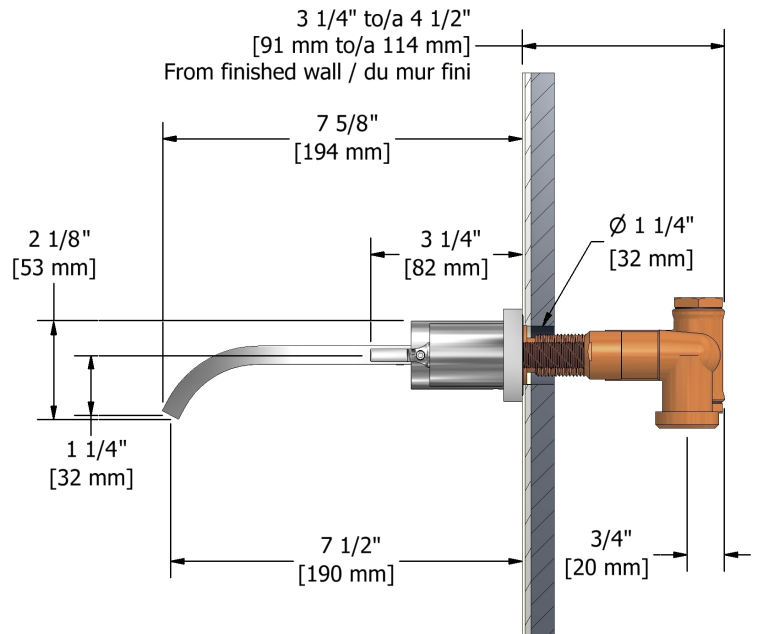
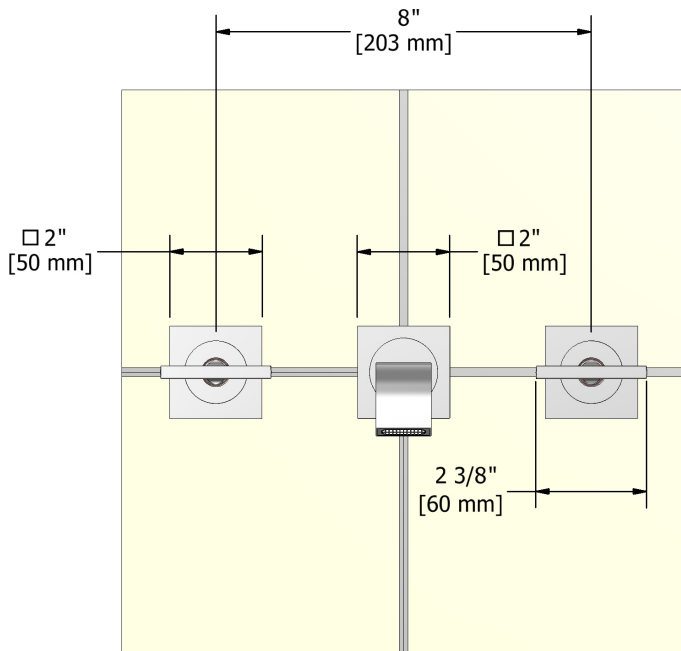
- 5.7 L/min, 1.5 gpm (US) 60psi
- 3.7 L/min, 1 gpm (US) 60psi ( **PFTQ03TXX-10** )

### Cartridge

- Cold: #401-451 - Hot: #401-452

### Certifications

- CSA B125.1
- NSF/ANSI standard 61 and 372
- ASME A112.18.1
- CMR248 Approval
- ADA



Sizes, models and finishes may differ from those presented.

## Warranty

This Riobel Inc. product you have purchased carries a **Limited lifetime warranty on the chrome, PVD finished and all working parts** and is guaranteed from the initial purchase date against all **manufacturing defects**. All other finishes including plastic component are guaranteed for one year. All electric and/or electronic parts are covered by a 1-year limited warranty.

## Customer Service

Ontario, West Canada : 888-287-5354 Quebec, Maritimes, United States : 866-473-8442