



3-piece deck-mount tub filler with hand shower
CS10XX



Specifications

Descriptions

- Ceramic cartridge
- 1/2" inlet male NPT
- 1-jet hand shower/scale-free

Available colors

- BN : Brushed nickel (PVD)

Available flow

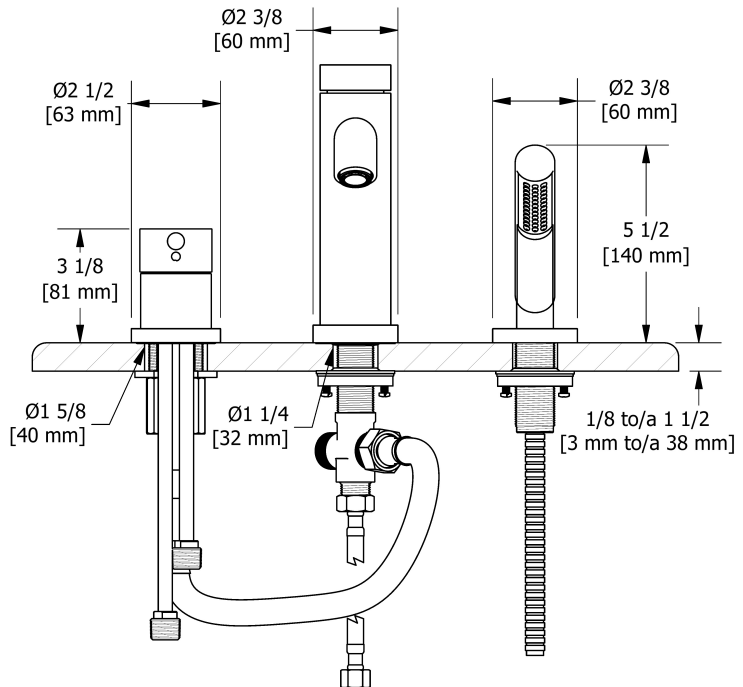
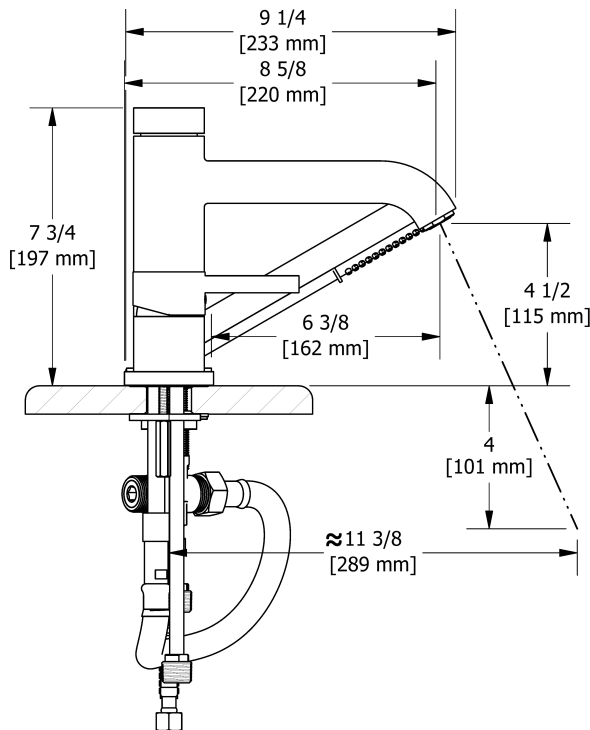
- 33 L/min, 8.7 gpm (US) 60psi

Cartridge

- 401-073

Certifications

- CSA B125.1
- ASME A112.18.1
- CMR248 Approval
- ADA



Sizes, models and finishes may differ from those presented.

Warranty

This Riobel Inc. product you have purchased carries a **Limited lifetime warranty on the chrome, PVD finished and all working parts** and is guaranteed from the initial purchase date against all **manufacturing defects**. All other finishes including plastic component are guaranteed for one year. All electric and/or electronic parts are covered by a 1-year limited warranty.

Customer Service

Ontario, West Canada : 888-287-5354 Quebec, Maritimes, United States : 866-473-8442