



# FB1699-1 ZEN TOILET

Equipped with a 6 and 4 liters double flush system

## PRODUCT DESCRIPTION:

White porcelain  
 Contemporary style  
 Fully glazed trapway  
 One piece toilet  
 Integrated soft and removable close seat  
 1000 + grams



## BOX SIZE:

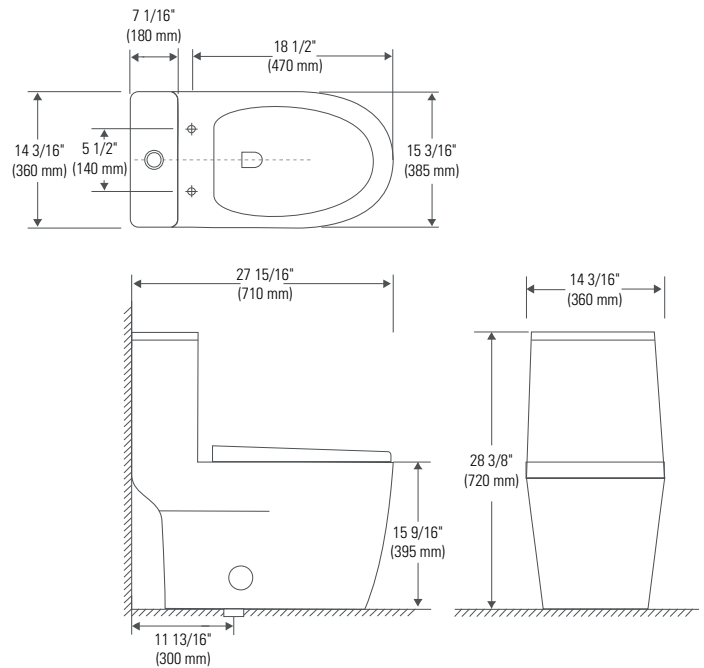
29 1/8" x 16" x 29"

## NET WEIGHT:

99 lbs

## GROSS WEIGHT:

105 lbs



Meets Canadian Standards Association standard B651-04.

\*All dimensions are approximate and subject to change without notice. Please refer to the installation guide before beginning the installation.



Certification ECORESPONSIBLE  
 First manufacturer of bathroom products in North America to be certified ecoresponsible.



## Produits Neptune

6835, Picard street, Saint-Hyacinthe (Quebec) J2S 1H3  
 Phone: (450) 773-7058 - Fax: (450) 773-5063

produitsneptune.com REV: 01-19



# FB1699 ZEN TOILET

Equipped with a 4.1 and 6 liters double flush system

## PRODUCT DESCRIPTION:

White porcelain  
 Contemporary style  
 With glazed trapway  
 One piece skirting toilet  
 Integrated soft close seat  
 800 + grams



## BOX SIZE:

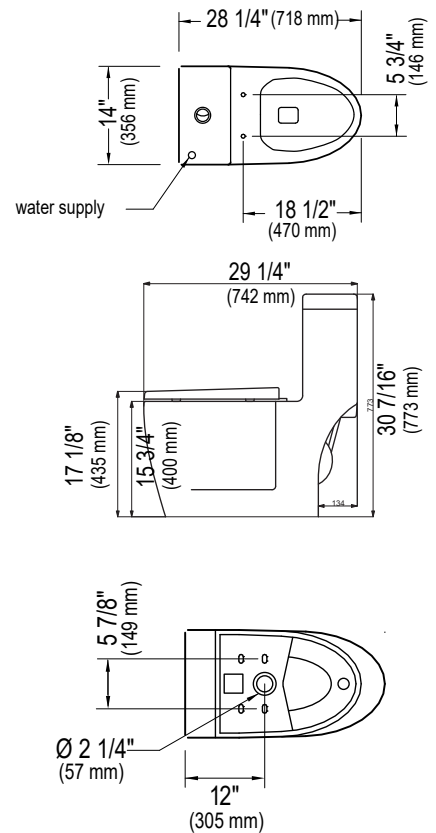
31" x 16" x 52"

## NET WEIGHT:

134 lbs

## GROSS WEIGHT:

137 lbs



Meets Canadian Standards Association standard B651-04.

\*All dimensions are approximate and subject to change without notice. Please refer to the installation guide before beginning the installation.



Certification **ECORESPONSIBLE**  
 First manufacturer of bathroom products in North America to be certified ecoresponsible.



## Produits Neptune

6835, Picard street, Saint-Hyacinthe (Quebec) J2S 1H3  
 Phone: (450) 773-7058 - Fax: (450) 773-5063  
 produitsneptune.com