

ACRITEC

BATHTUBS, FREE STANDING

44408

67" x 33½" x 22⅞"

DAPHNE



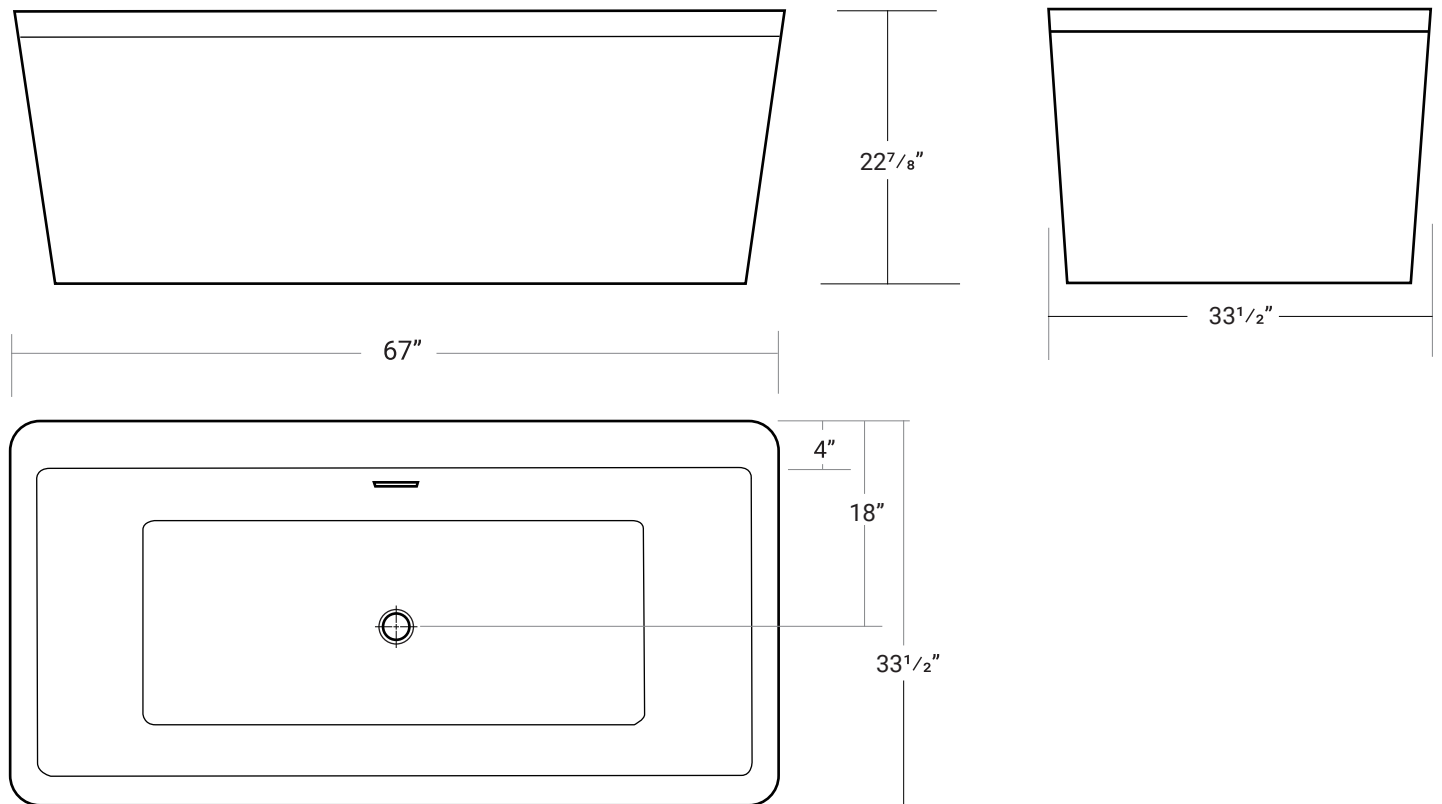
ACRITEC

BATHTUBS, FREE STANDING

44408

67" x 33 1/2" x 22 7/8"

DAPHNE



REV. 5/29/2018

*Drawings are not to scale

*All measurements are $\pm 1/4$ "

In keeping with our policy of continuing improvement, Acritec Industries Corp. reserves the right to change product specifications without notice.

Acritec Industries Corp.



Toll free: 1 (877) 464-3100 e-mail: sales@acritec.com www.acritec.com

ACRITEC

BATHTUBS, FREE STANDING

44408

67" x 33½" x 22⅞"

DAPHNE

PRODUCT SPECIFICATIONS

- 100% Acrylic with fibreglass and wood reinforcement.
- Levelling feet included.
- Available in white.
- Faucets sold separately.
- 1 Year limited manufacturer's warranty included.
- Includes integral, rectangular overflow. Drain assembly not installed.
- Two piece freestanding bathtub.
- Ships disassembled for easier on-site handling.



AVAILABLE UPGRADES

- Comfortwarm™
- Chromotherapy