

Freestanding Bath

Installation Manual

Important

- Thoroughly inspect your product before proceeding with the installation.
- The warranty will be void if the product is installed with a defect.

Caution

- Read all instructions carefully before starting the installation.
- Save this manual for future reference.

Acritec Industries Corp.

27049 Gloucester Way
Langley, BC V4W 3Y3

Tel: 604.607.0856

Fax: 604.607.0857

Email: info@acritec.com

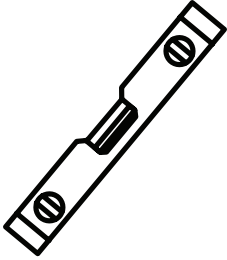
Website: www.acritec.com

In keeping with our policy of continuing product improvement, Acritec Industries Corp. reserves the right to change product specifications without notice.

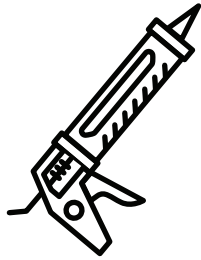


Tools & Materials

General Installation



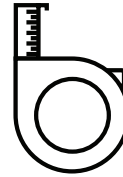
Level



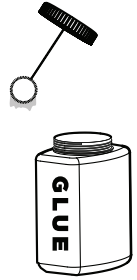
**Silicone
Caulking**



Pencil



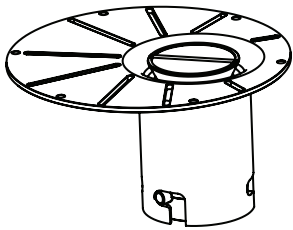
**Tape
Measure**



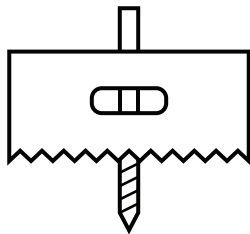
ABS Glue

Tools & Materials

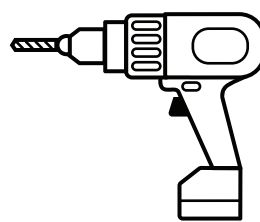
Recommended Installation



Roughin EZ
(Product #01086)



4" Hole Saw



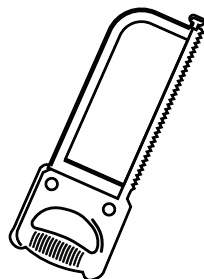
Drill



1-1/2" ABS
(Not Included)



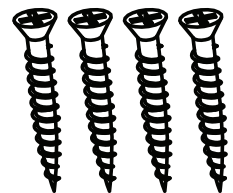
Lubricant
(Not Included)



Saw

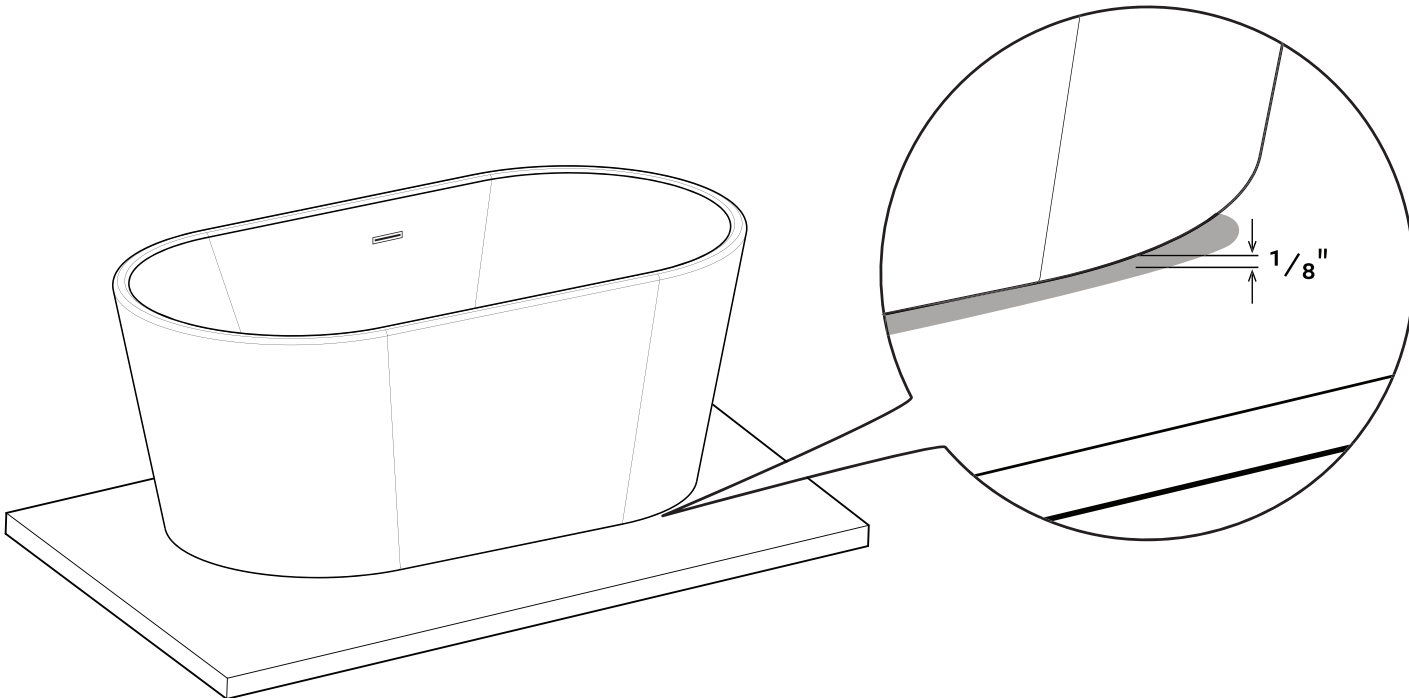
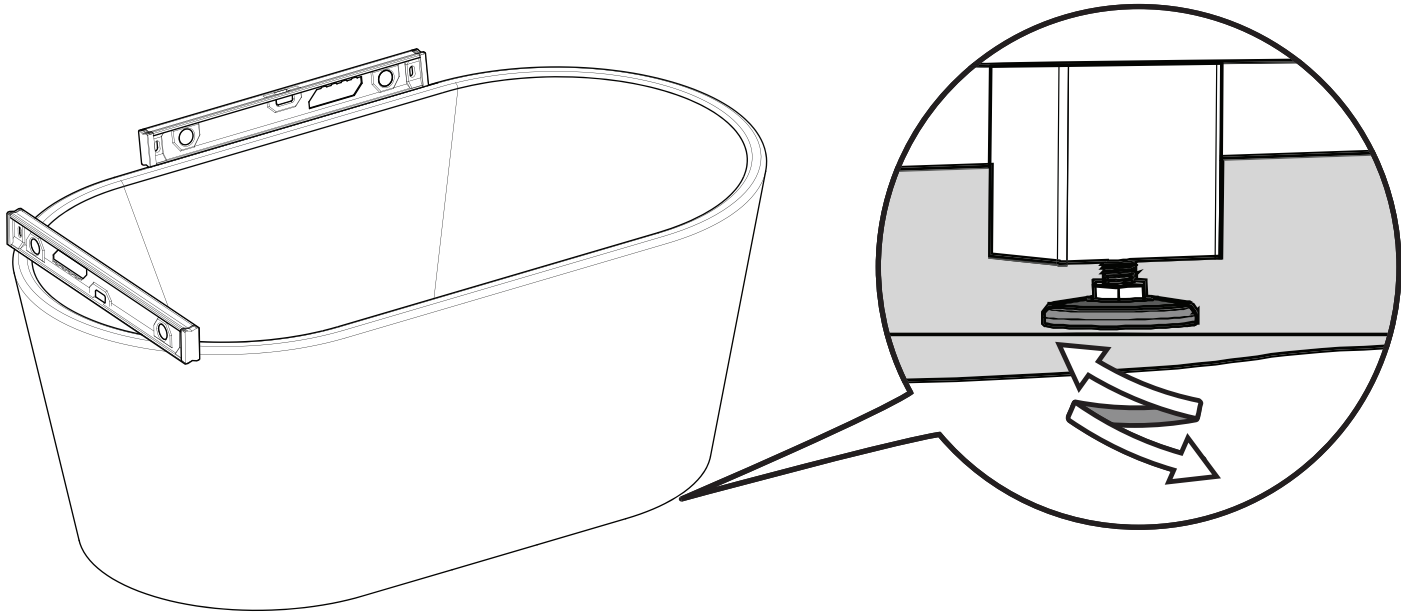


Channel Locks



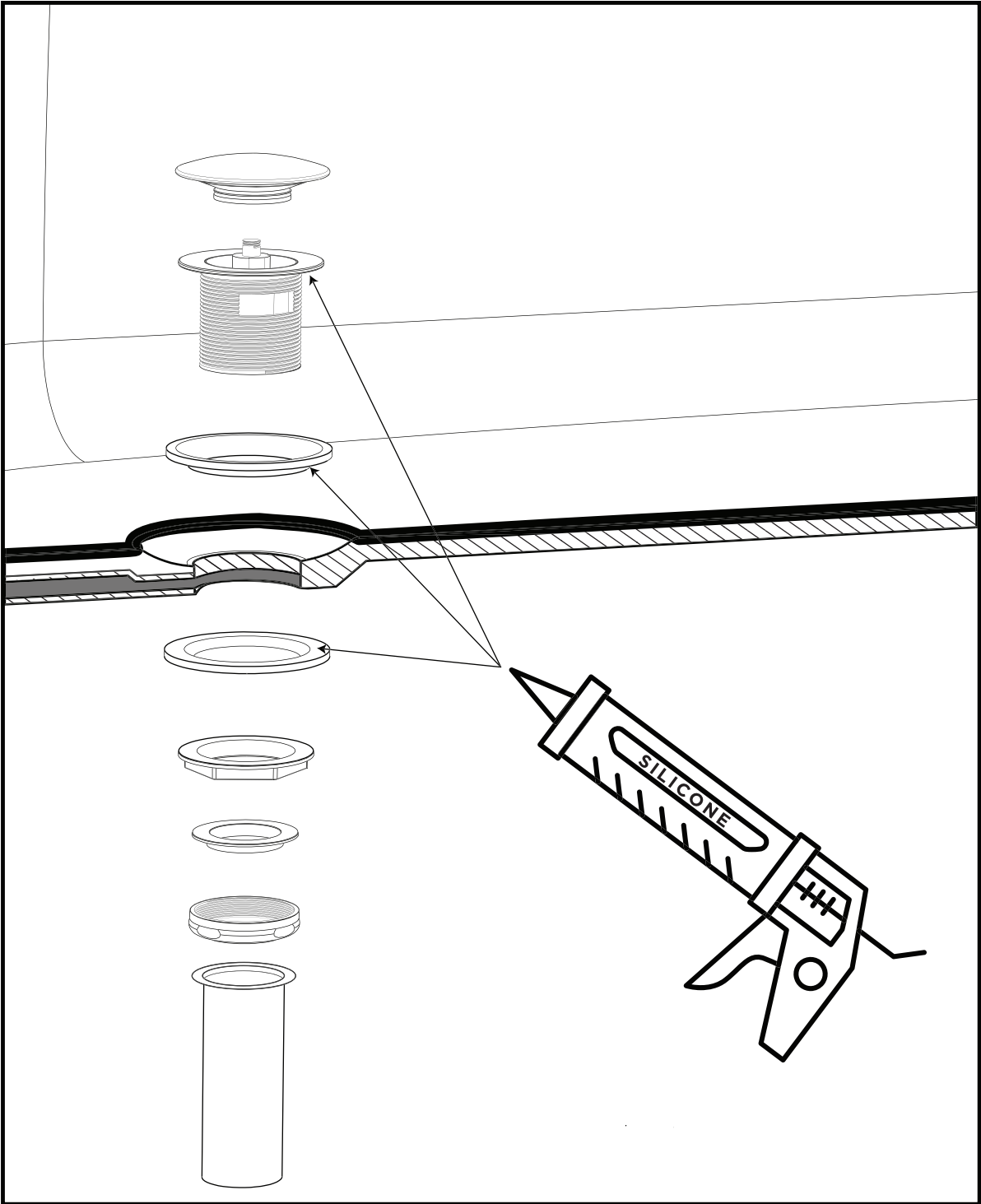
Screw

Step 1
General Installation



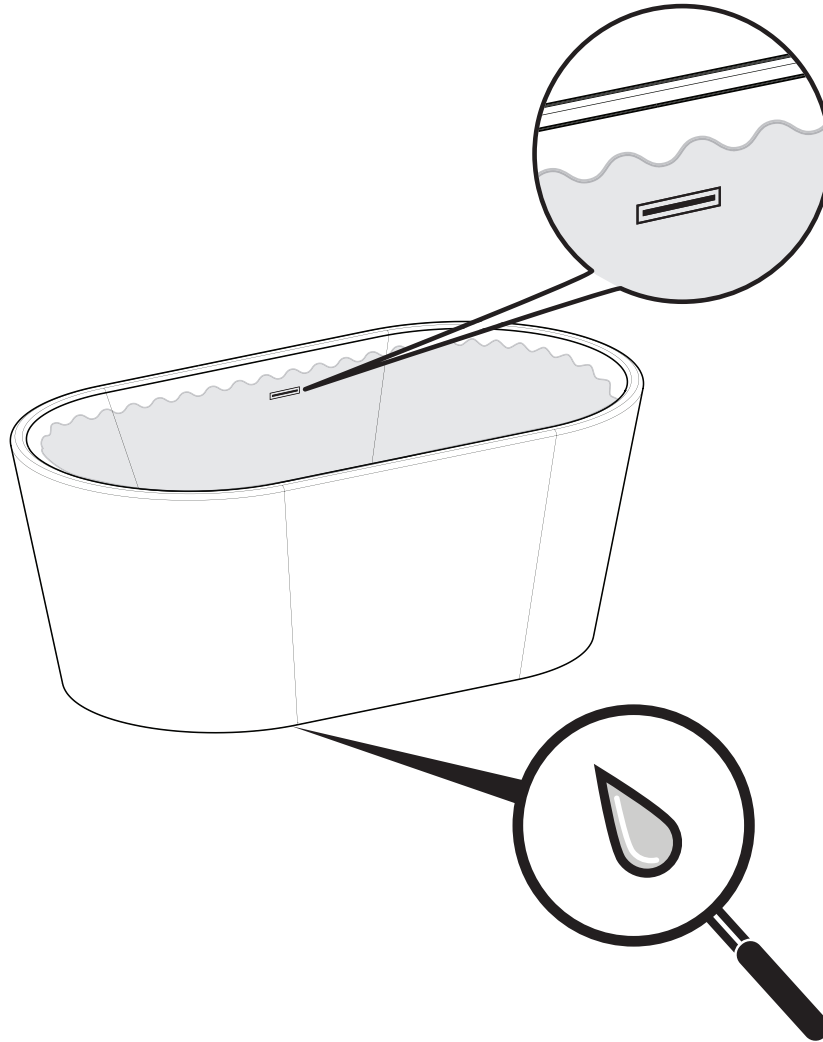
Step 2

General Installation



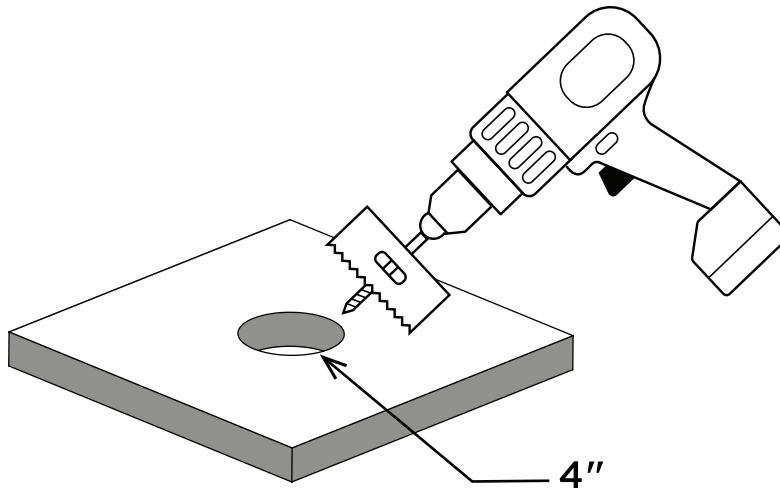
Step 3

General Installation - WATER TESTING



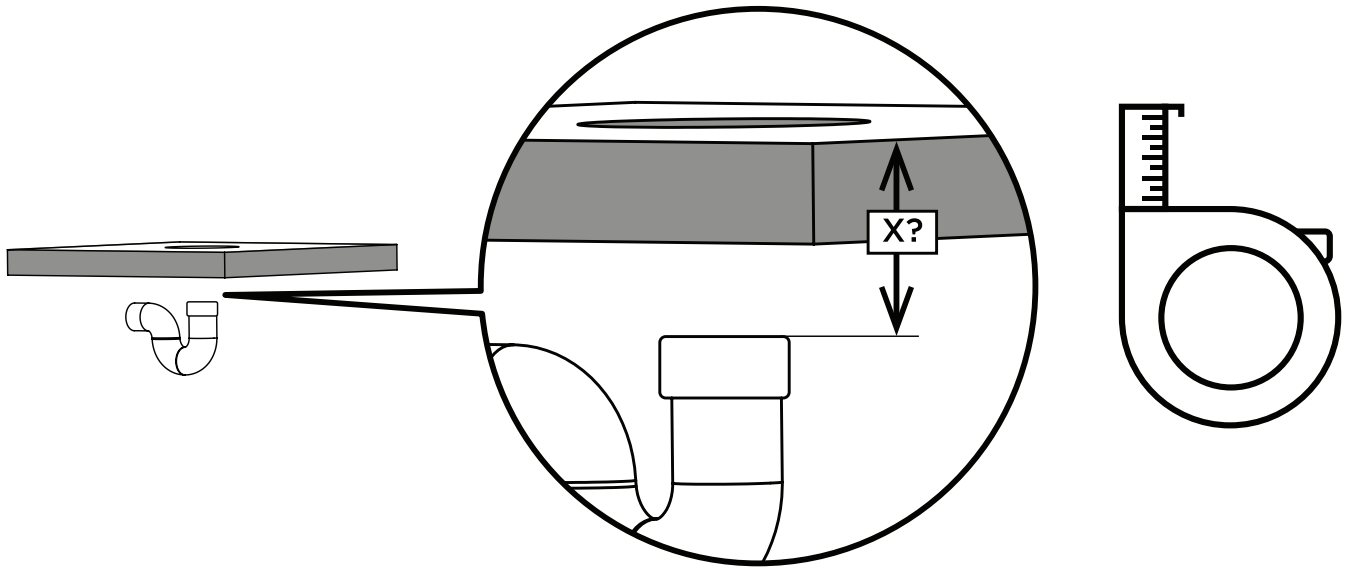
Step 1

Recommended Installation - DRAIN INSTALLATION



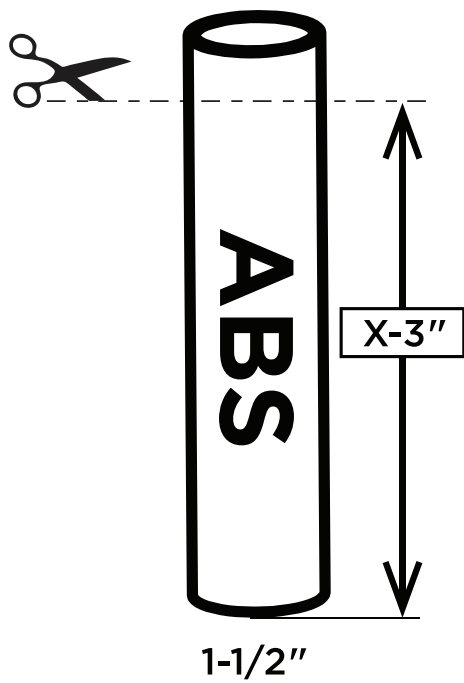
Step 2

Recommended Installation



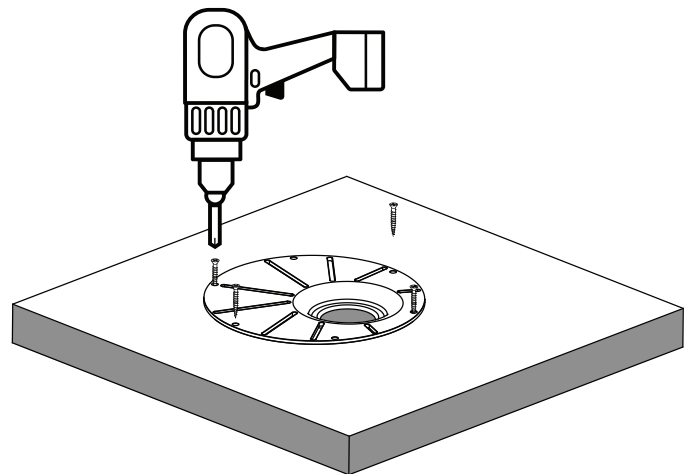
Step 3

Recommended Installation



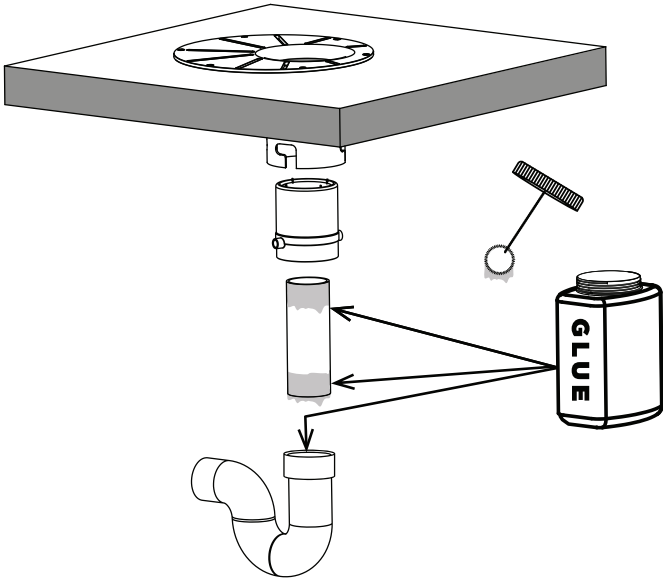
Step 4

Recommended Installation



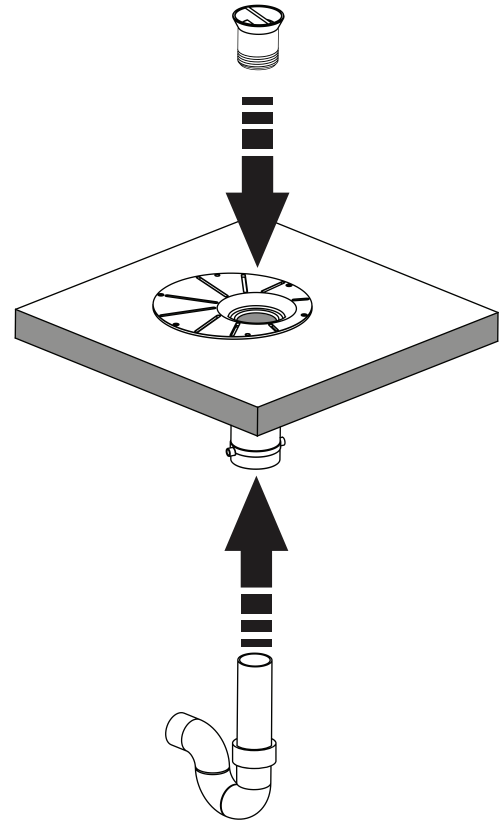
Step 5

Recommended Installation



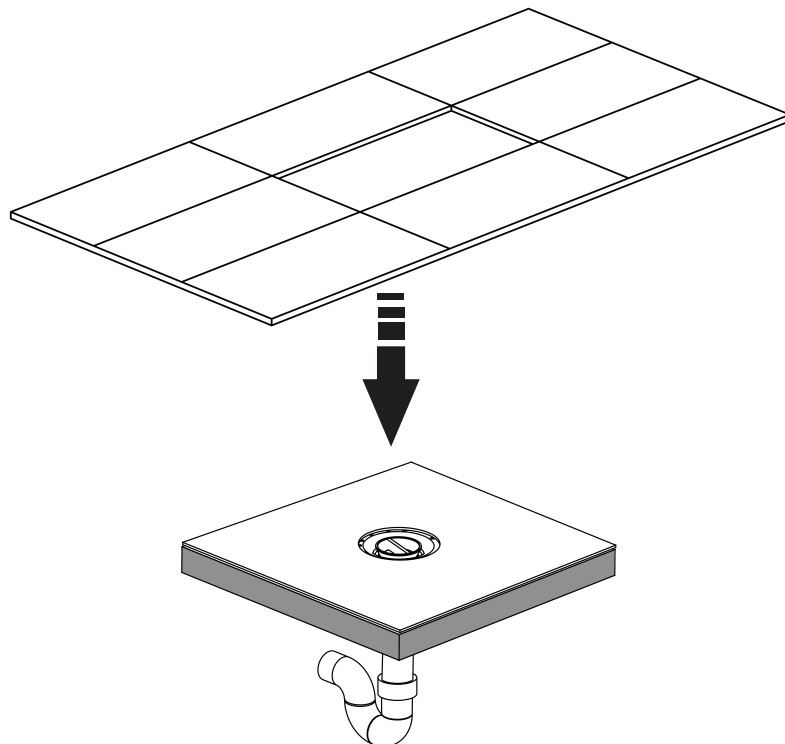
Step 6

Recommended Installation



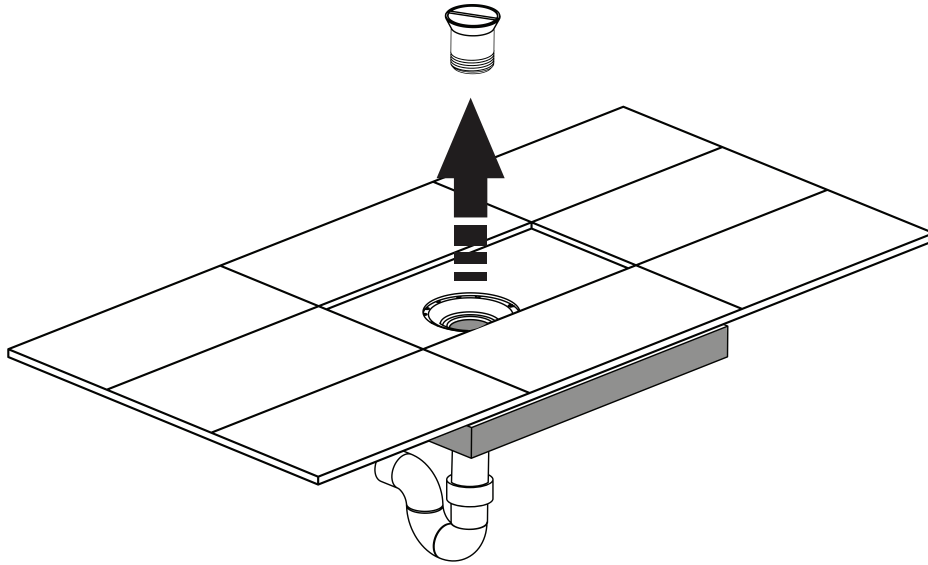
Step 7

Recommended Installation



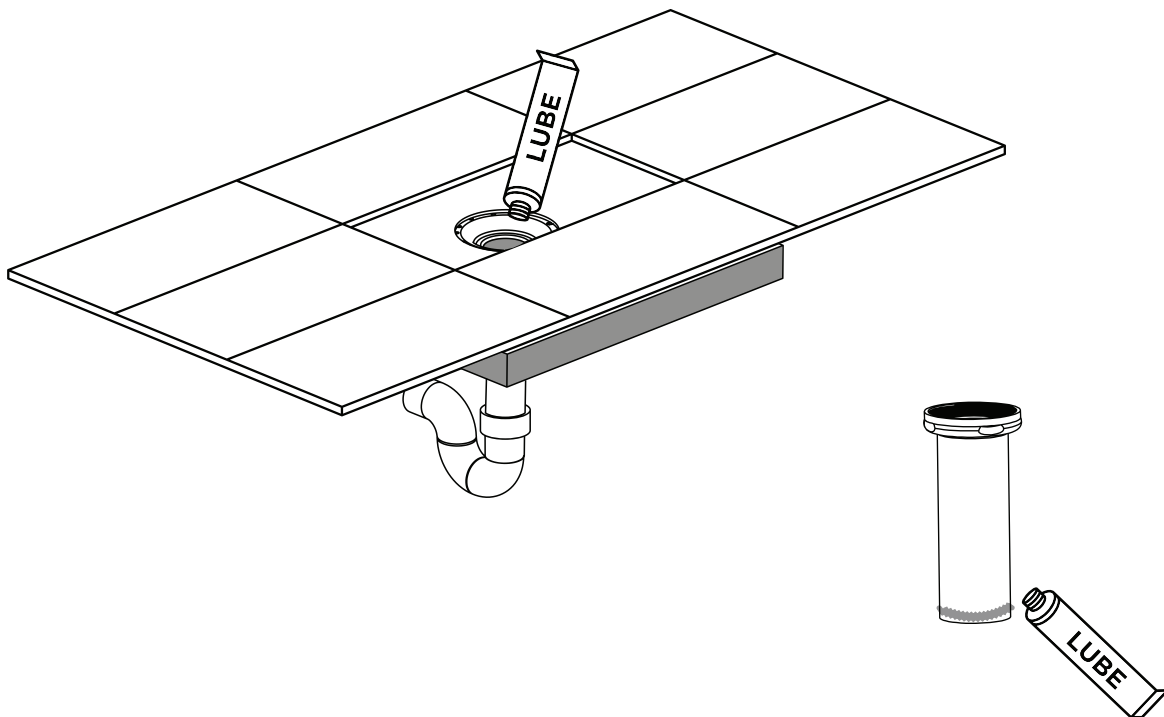
Step 8

Recommended Installation



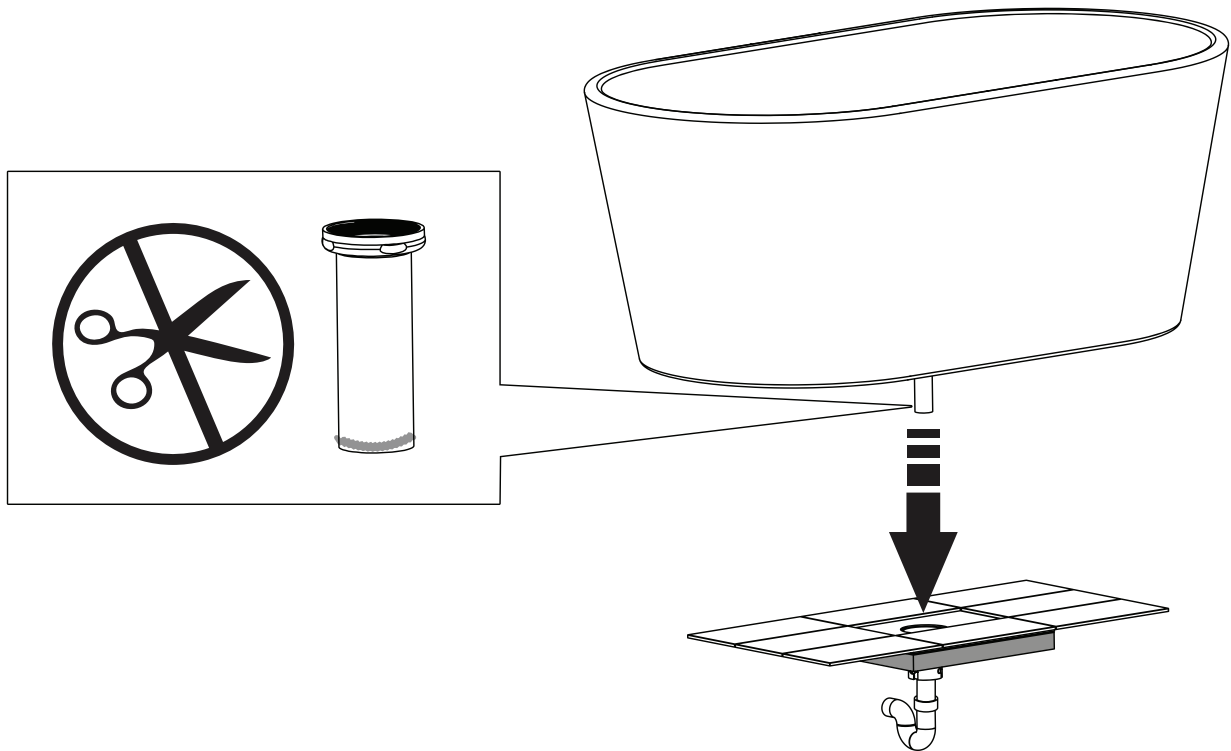
Step 9

Recommended Installation



Step 10

Recommended Installation



Step 11

Recommended Installation

