



Wall-mount lavatory faucet
SA11XX



Specifications

Descriptions

- Ceramic cartridge
- 1/2" inlet female NPT
- No drain

Available colors

- C : Chrome
- PN : Polished nickel (PVD)

Available flows

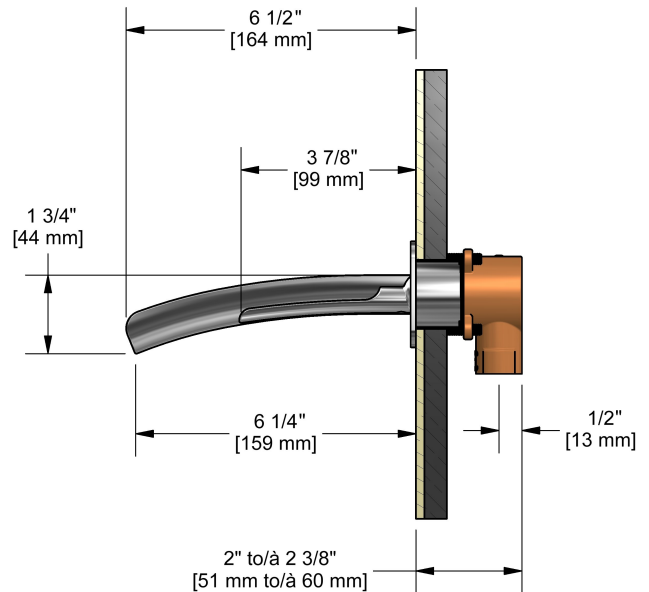
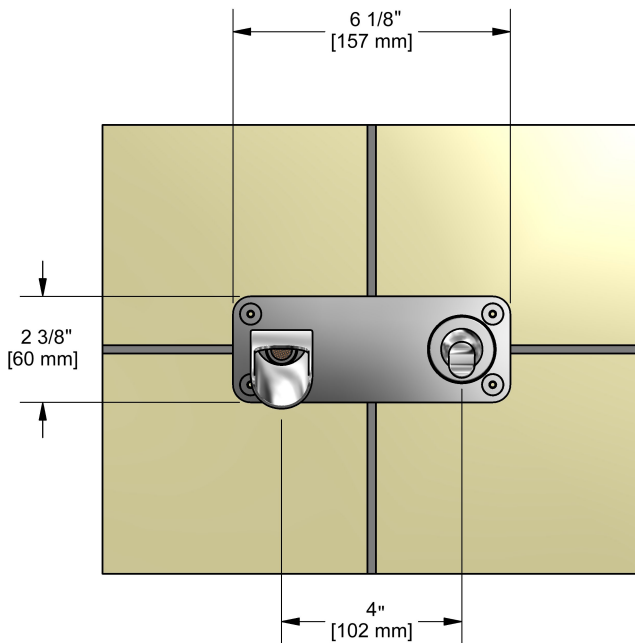
- 5.7 L/min, 1.5 gpm (US) 60psi
- 3.7 L/min, 1 gpm (US) 60psi (SA11XX-10)

Cartridge

- 401-770

Certifications

- CSA B125.1
- NSF/ANSI standard 61 and 372
- ASME A112.18.1
- CMR248 Approval
- ADA



Sizes, models and finishes may differ from thoses presented.

Warranty

This Riobel Inc. product you have purchased carries a **Limited lifetime warranty on the chrome, PVD finished and all working parts** and is guaranteed from the initial purchase date against all **manufacturing defects**. All other finishes including plastic component are guaranteed for one year. All electric and/or electronic parts are covered by a 1-year limited warranty.

Customer Service

Ontario, West Canada : 888-287-5354 Quebec, Maritimes, United States : 866-473-8442