

Metropol

3-hole basin mixer 160 with loop handles and push-open waste set

Surfaces: **Chrome** Article Number: **74515000**



Description

product features

- consists of: 3-hole basin mixer, waste set
- ComfortZone 160
- projection 152 mm
- flow rate at 3 bar: 5 l/min
- ceramic valves hot/ cold 90°
- suitable for continuous flow water heaters
- push-open waste set G 1¼
- material waste set: metal
- connection dimension: DN15

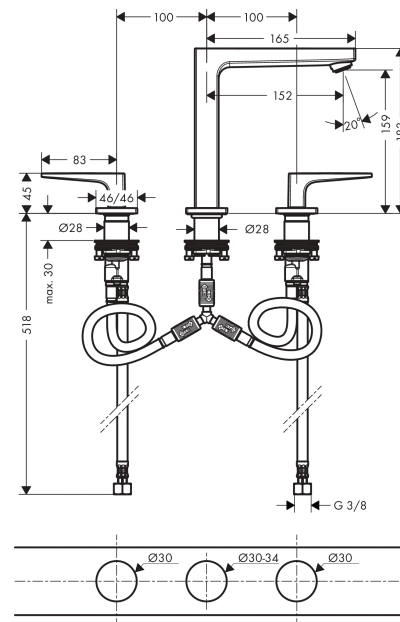
Technology



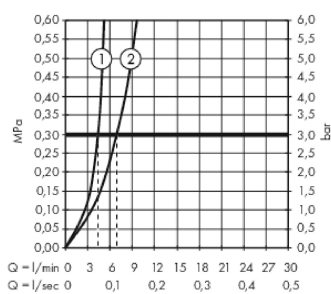
Product image



Scale drawing



Flowchart



- ① With flow limiter
- ② Without flow limiter