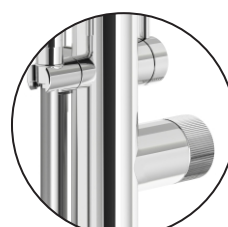
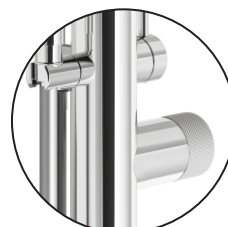
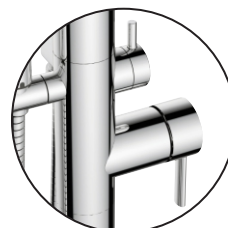
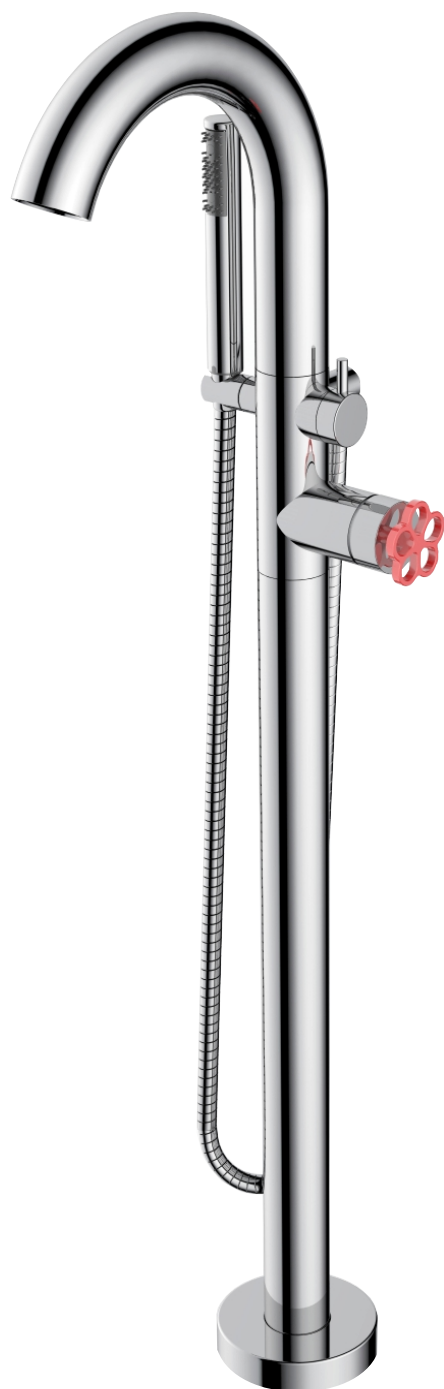


FRANZ VIEGENER

Freestanding Tub Filler

i n s t a l l a t i o n



- FV215/J1.0**
- FV215/59.0**
- FV215/59K.0**
- FV215/59D.0**
- FV215/59R.0**
- FV215/59V.0**

CONGRATULATIONS !

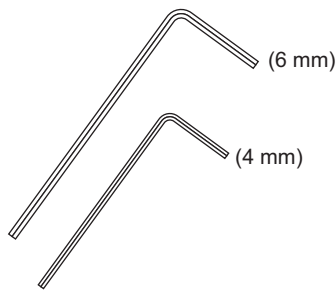
This product has been subjected to stringent tests for its quality, performance and finish. We guarantee years of trouble free operation.

We thank you for your choice and above all for the trust you are placing in us. This trust is what motivates us to improve every day.

Before connecting the faucet to the water supply, flush the tubing thoroughly to eliminate any residue.

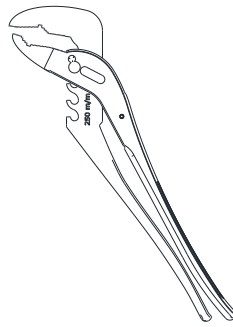
Required installation tools.

Provided.

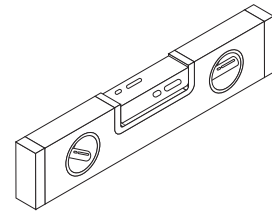


***Allen
Wrenches***

Not provided.



Channellock.



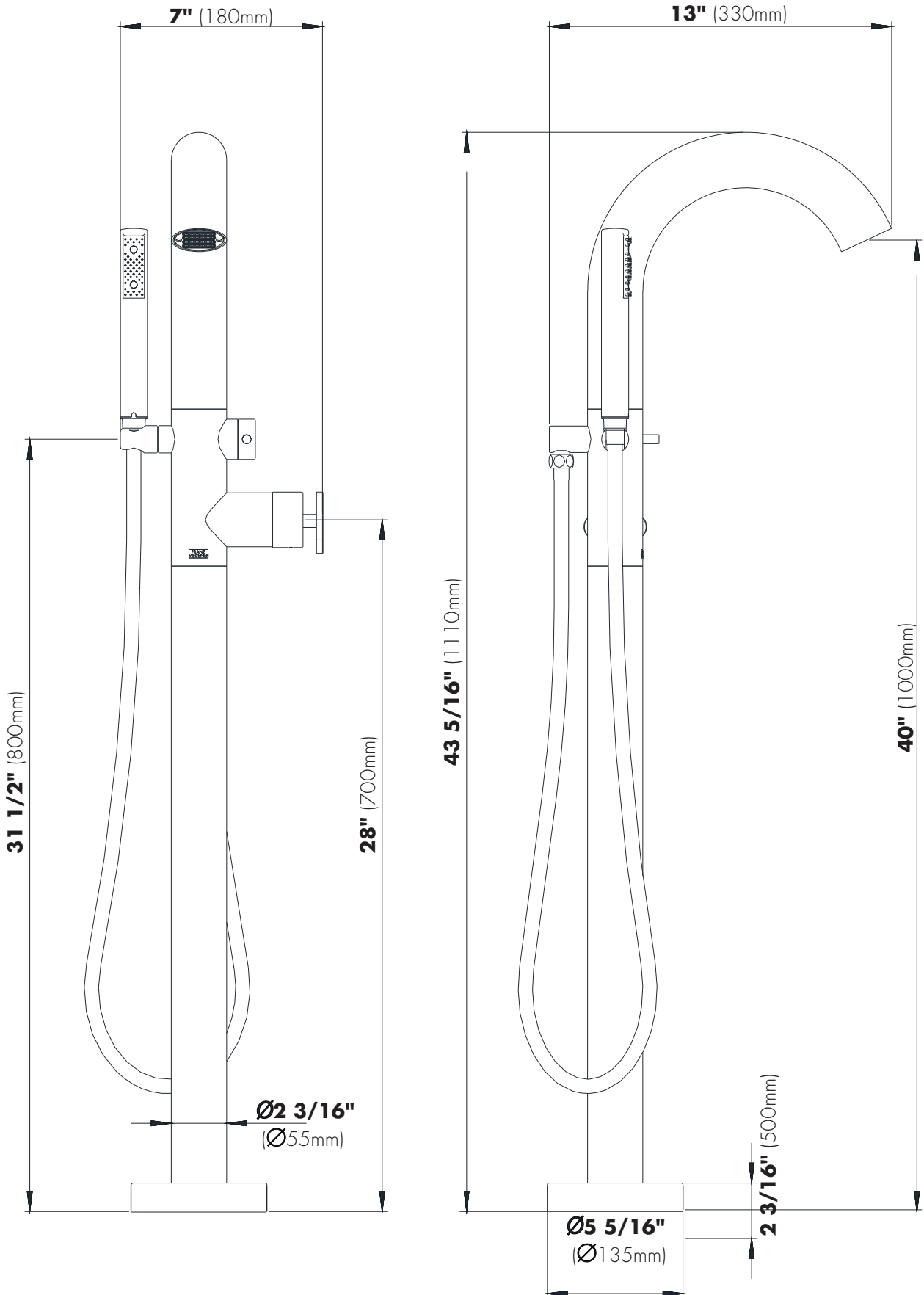
Level tool

FREESTANDING TUB FILLER - TRIM ONLY

FV215/J1.0-59.0

Freestanding trim only

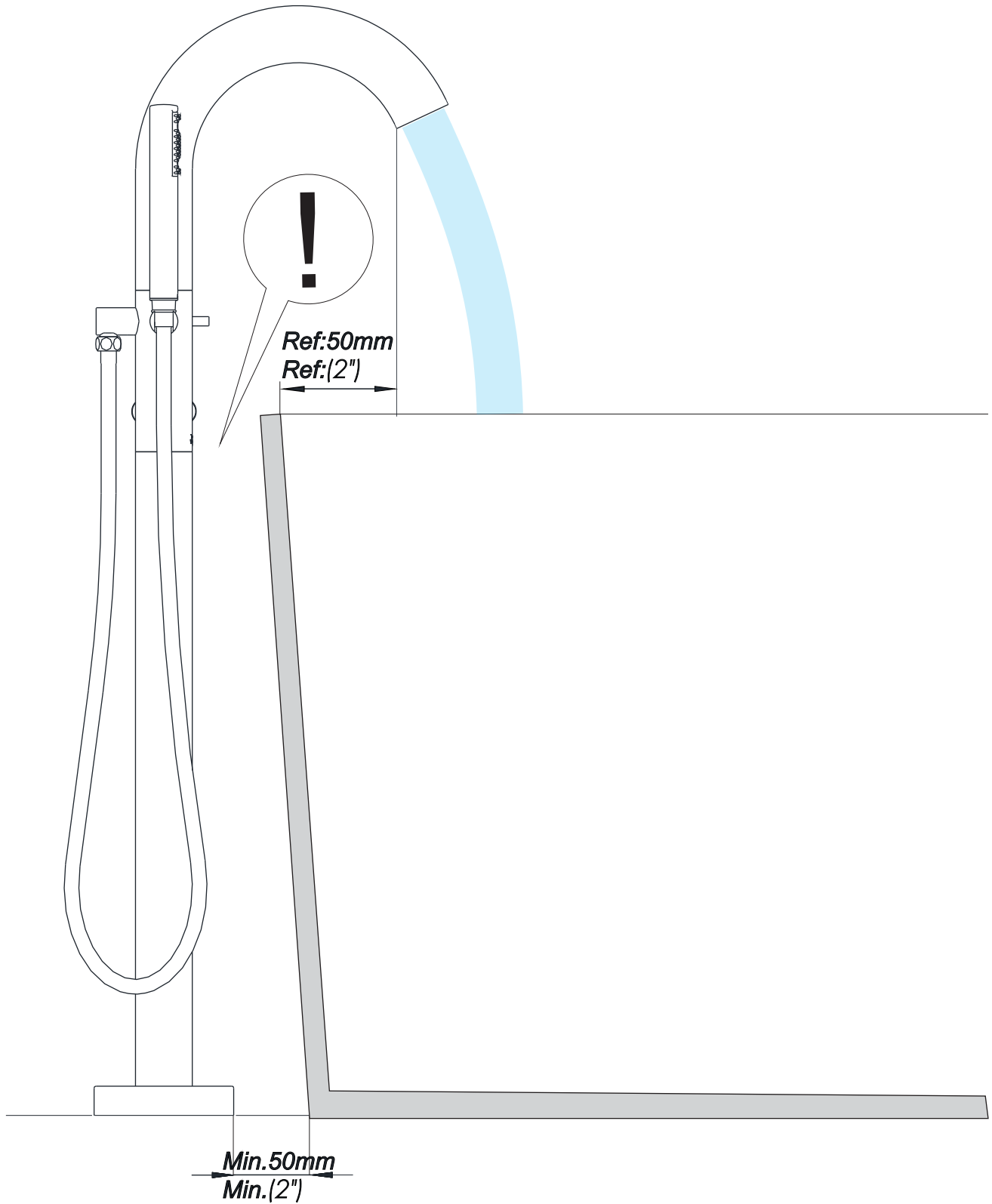
Measures



FR215.0

Installation example

Measures

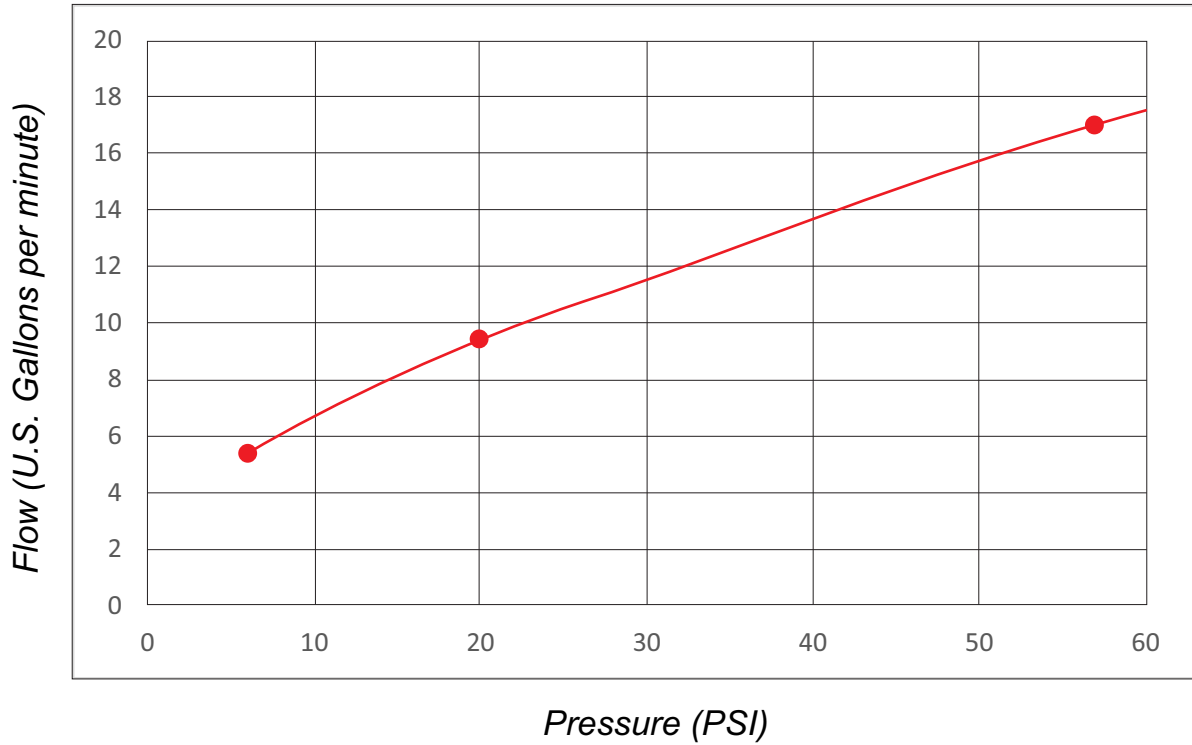


FV215/J1.0-59.0

Technical data

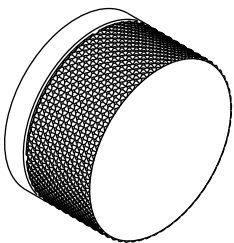
Minimum outlet flow rate at constant pressure 20 PSI and minimum feed flow rate of 17 gal. per minute: 9,5 gal. per minute

Flow table

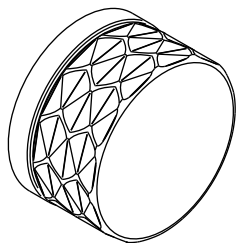


FV215/59.0

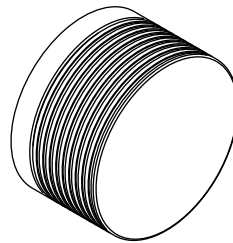
Handle variations



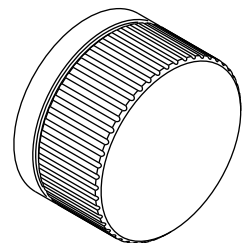
FV215/59K.0



FV215/59D.0

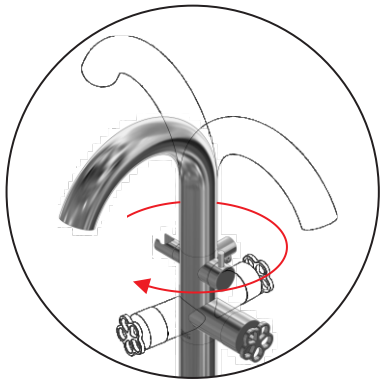
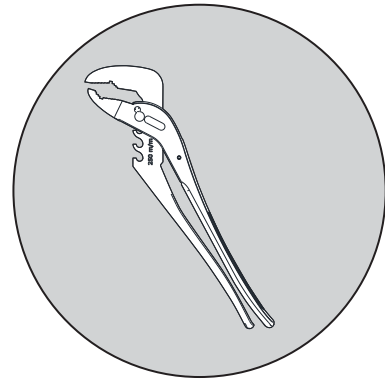
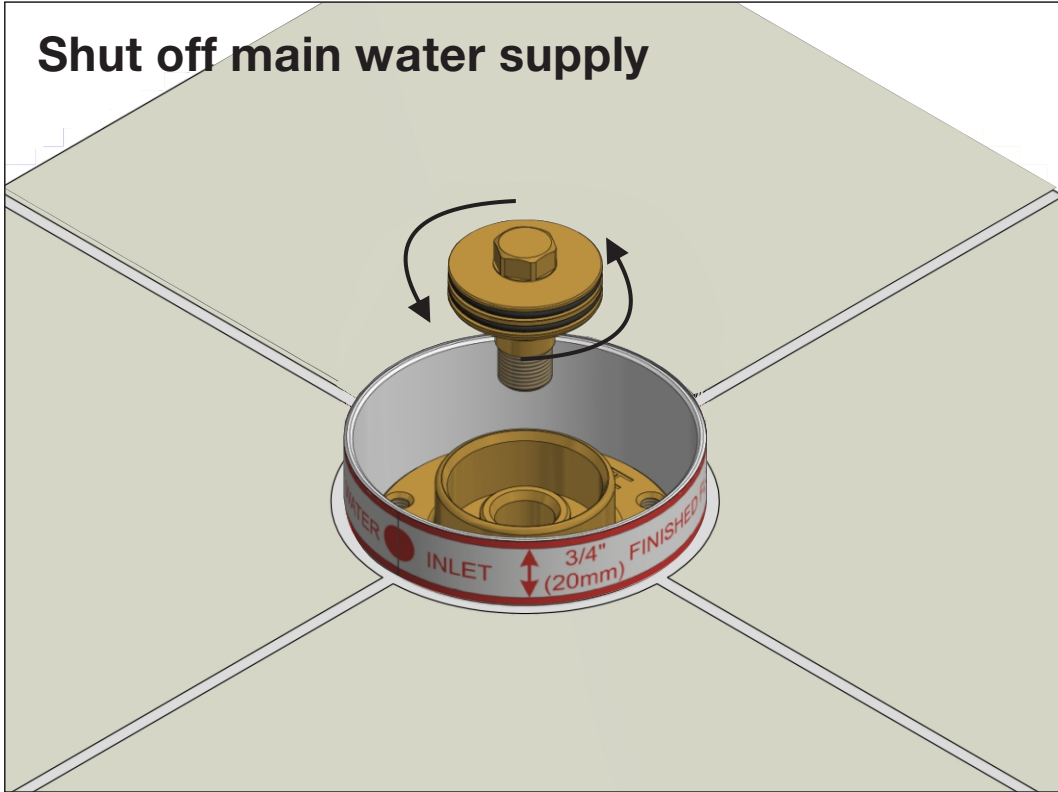


FV215/59R.0

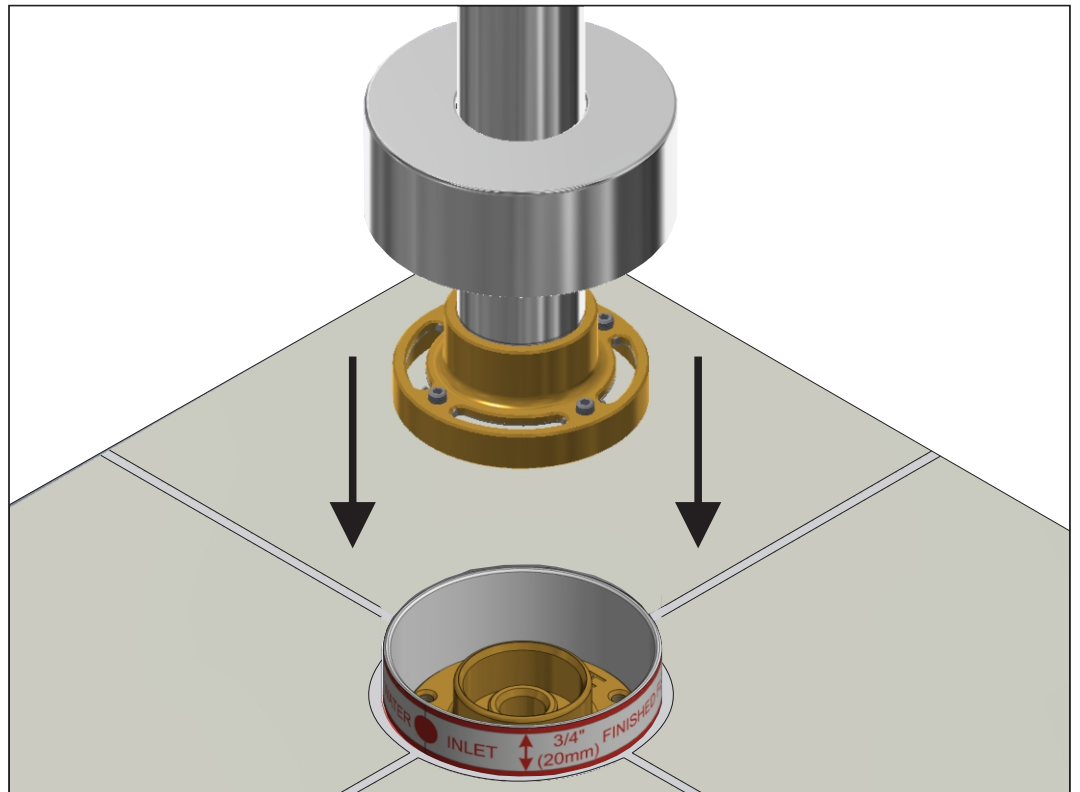
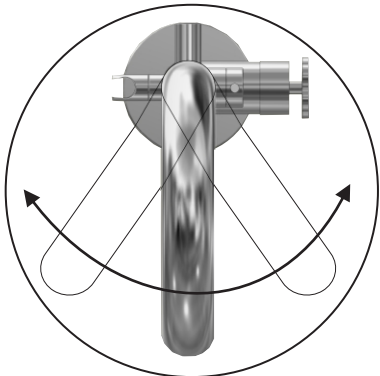


FV215/59V.0

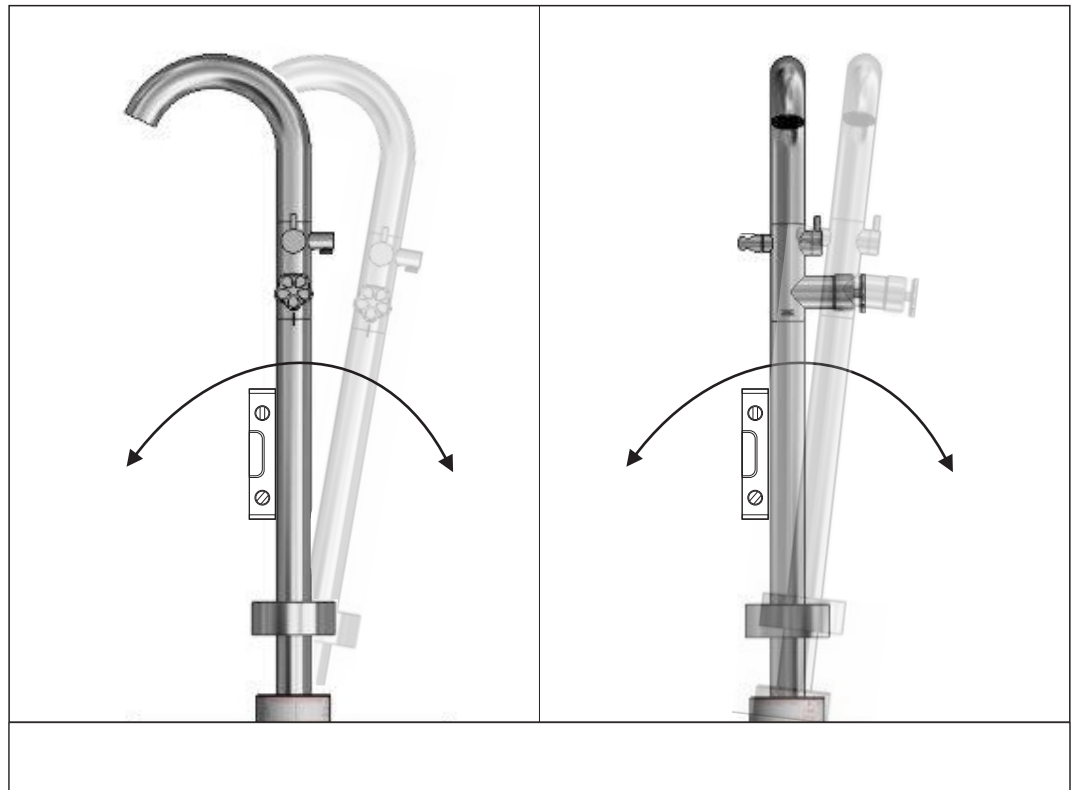
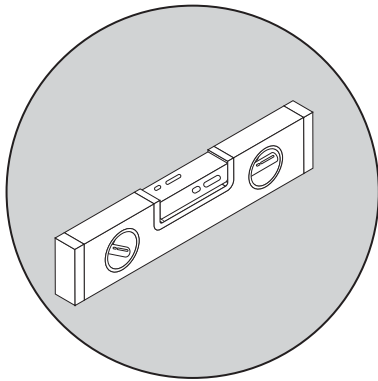
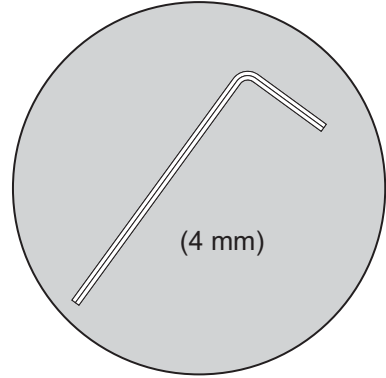
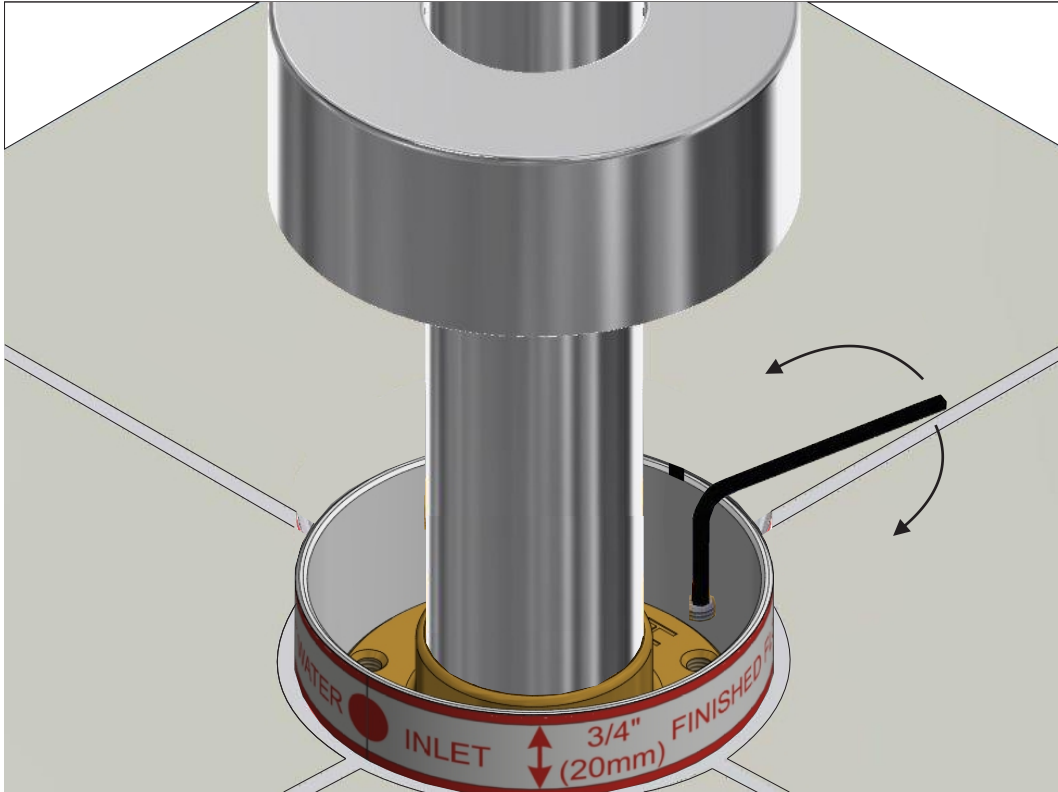
FV215/J1.0
Mounting Freestanding



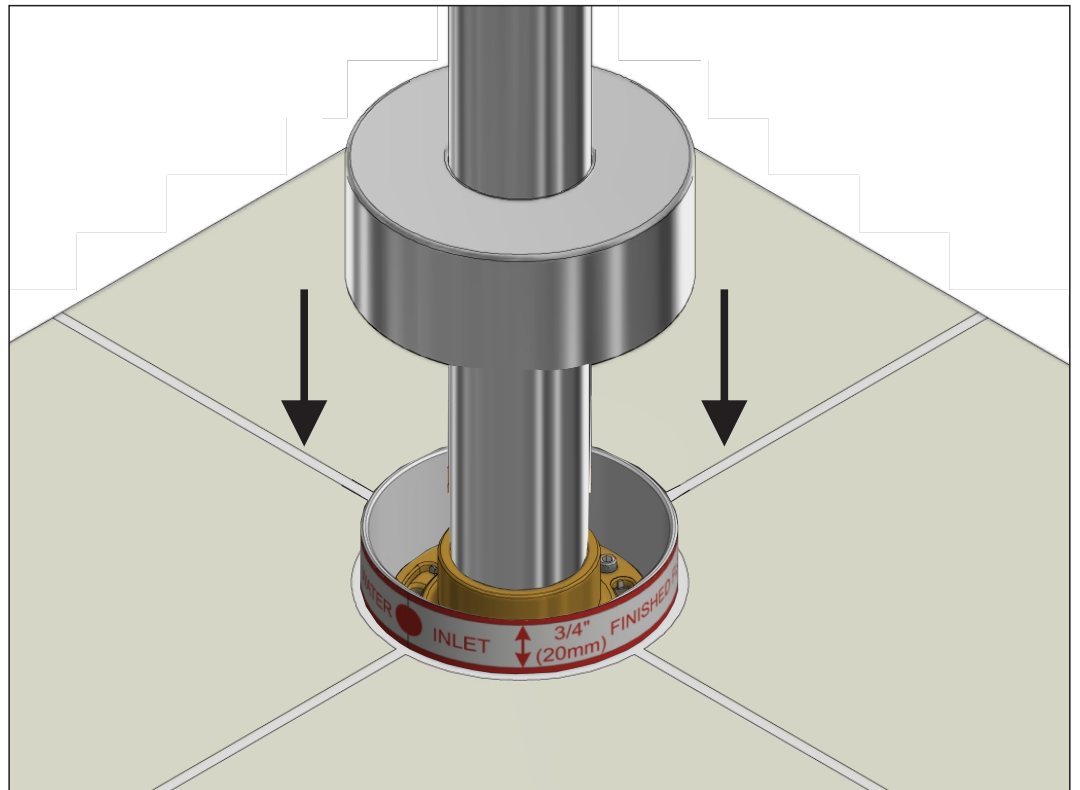
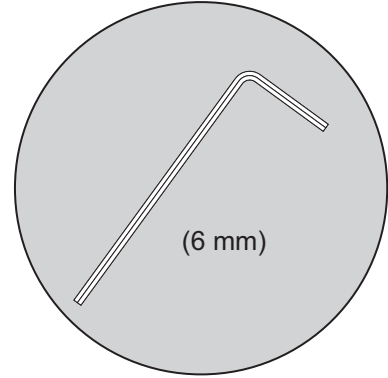
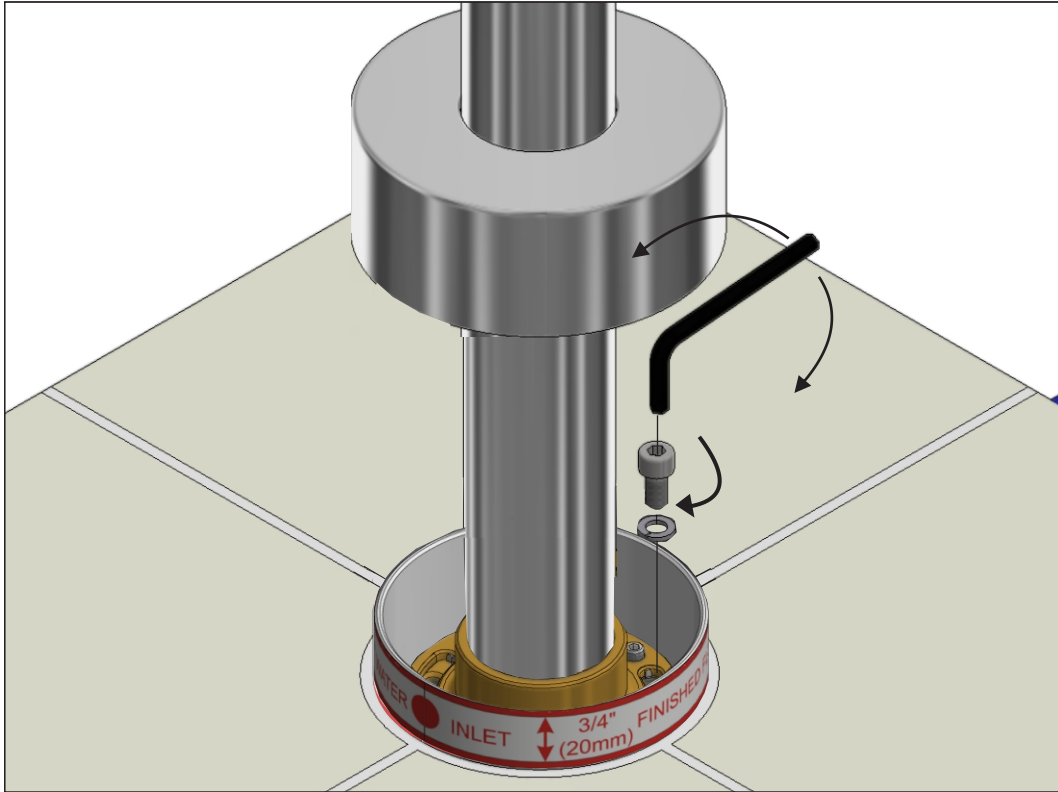
**360° Rotating
Adjustable Position**

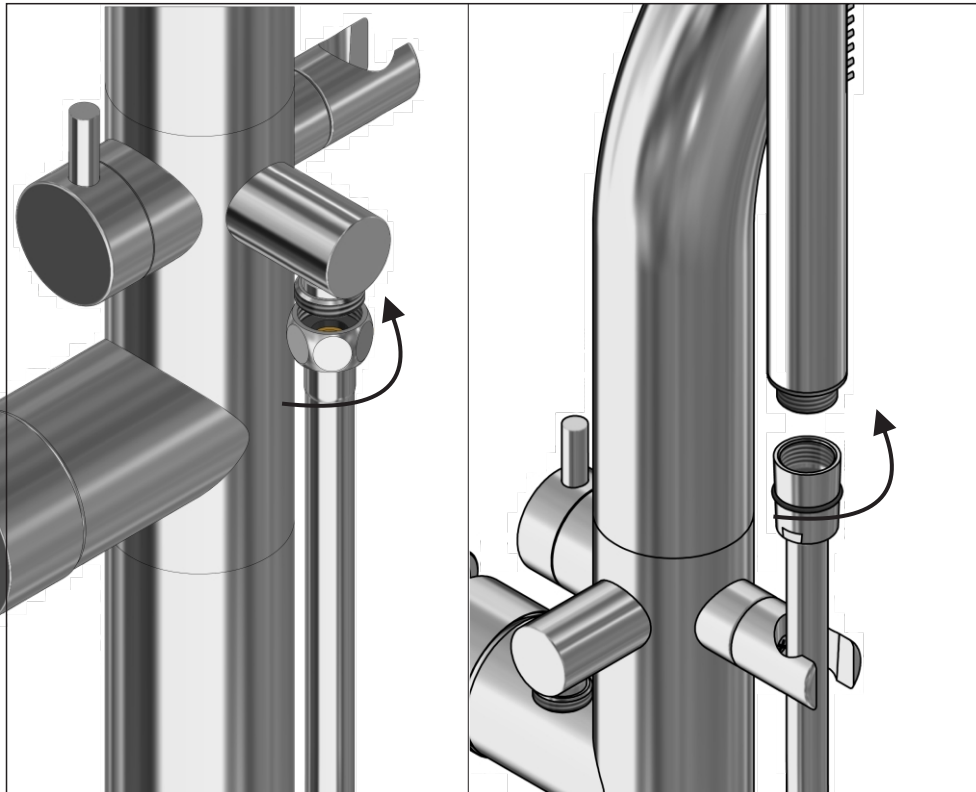


Vertical Level



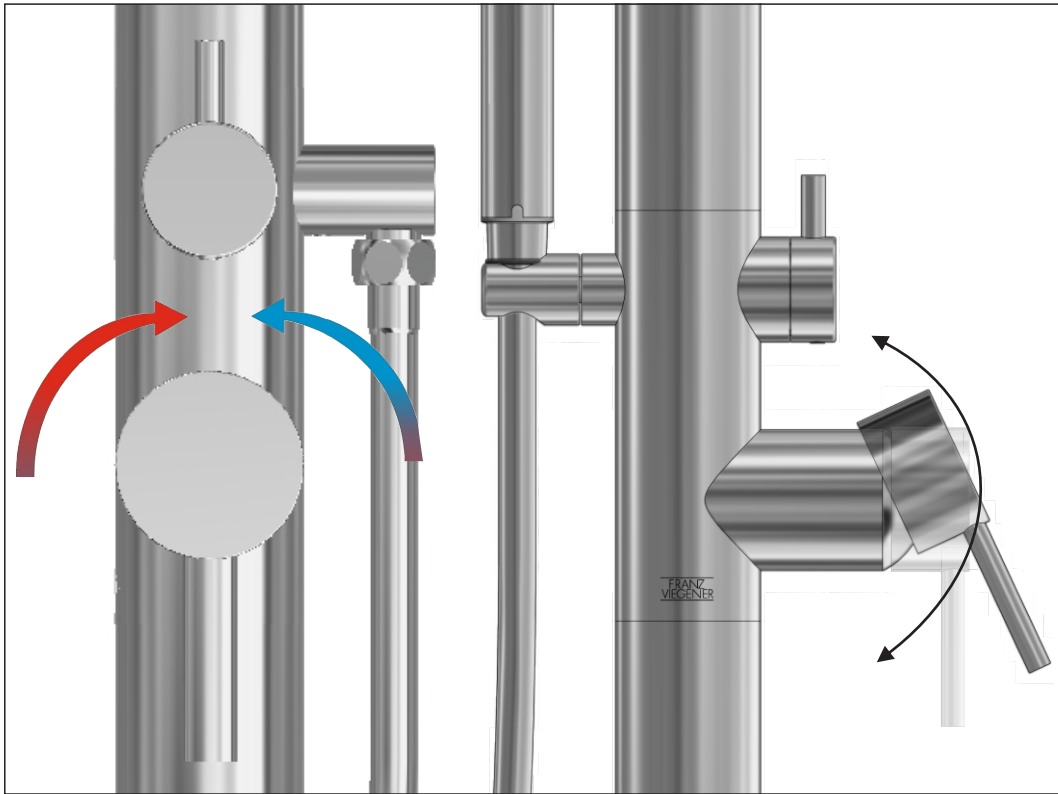
Final adjust - In case of having any trouble with the installation levels please contact your retailer.





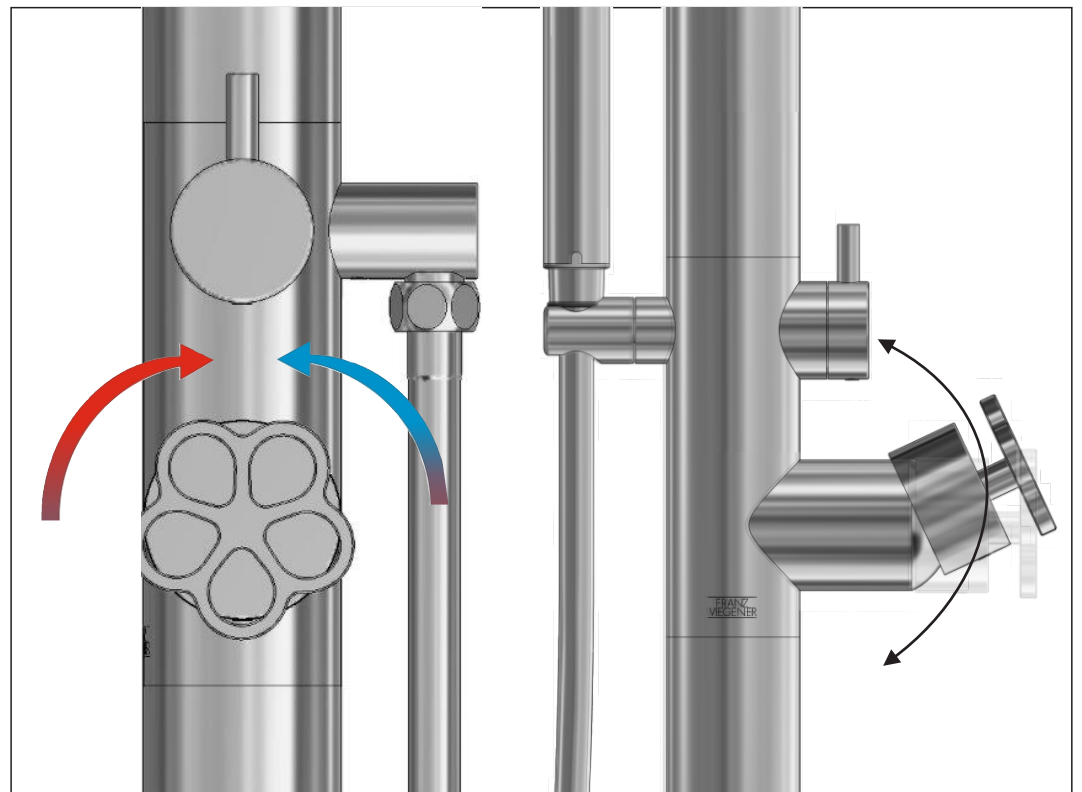
**Installation is now complete.
Turn on main water supply**

Function



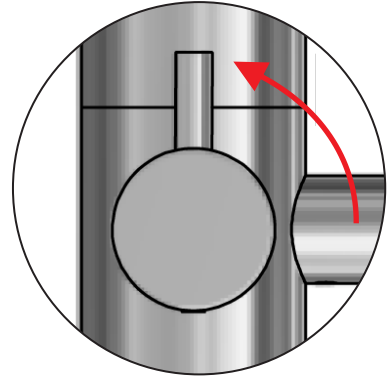
Nerea

Industrial Chic

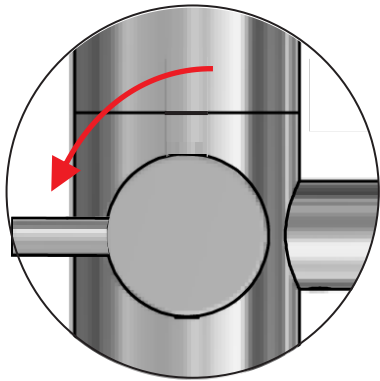


CAUTION: Risk of personal injury. Do not use the bath filler as a grab bar or support bar when entering or exiting the bath. The bath filler is not designed to support weight.

Diverter Position



Spout Flow



Handshower Flow



FREESTANDING TUB FILLER - TRIM ONLY



FRANZ VIEGENER

A FV S.A. company.

4000 Porett Drive • Gurnee Illinois 60031

Phone 847-244-1234 / Fax 847-244-1259

FRANZ VIEGENER reserve the right to make revisions without notice in the design of faucets and bathroom accessories or in packaging.
FOLLFV215/J1 / July, 2016
