



Single hole lavatory open spout faucet  
**ZSOP01XX**



## Specifications

### Descriptions

- Push drain
- 3/8" speedway compression
- Ceramic cartridge
- Chrome (PVD)

### Available colors

- C : Chrome
- BN : Brushed nickel (PVD)

### Available flows

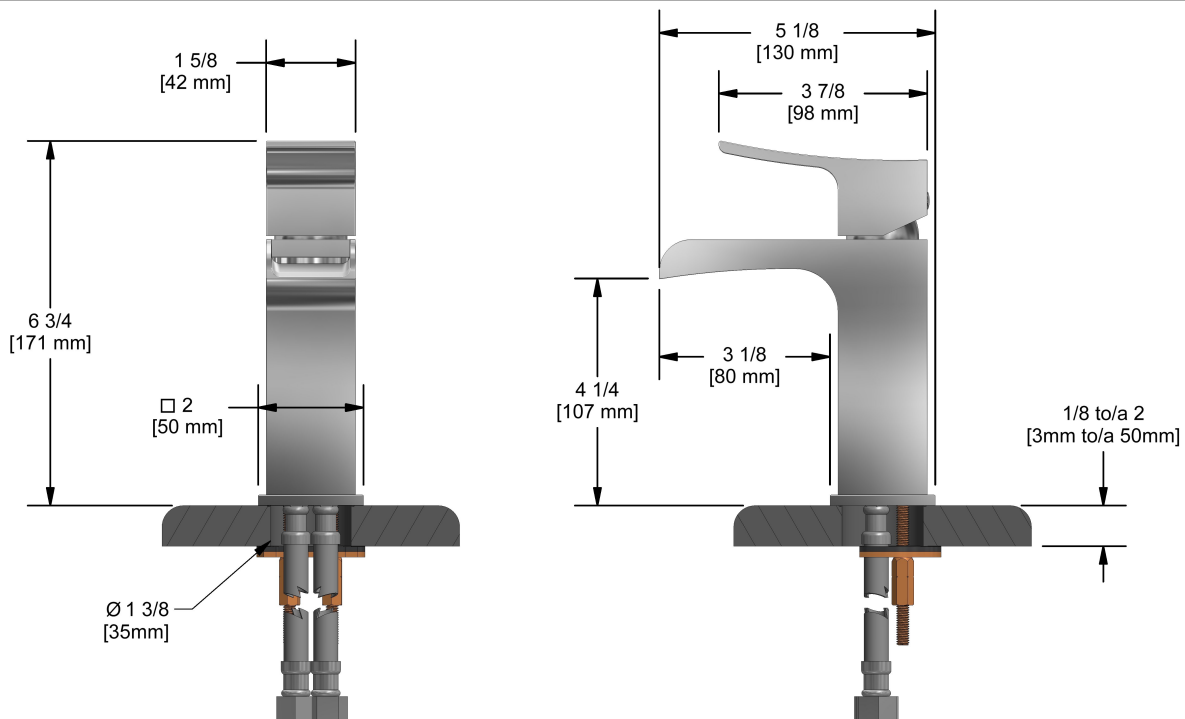
- 5.7 L/min, 1.5 gpm (US) 60psi
- 3.7 L/min, 1 gpm (US) 60psi ( **ZSOP01XX-10** )

### Cartridge

- 401-039

### Certifications

- CSA B125.1
- NSF/ANSI standard 61 and 372
- ASME A112.18.1
- CMR248 Approval
- ADA



Sizes, models and finishes may differ from those presented.

### Warranty

This Riobel Inc. product you have purchased carries a **Limited lifetime warranty on the chrome, PVD finished and all working parts** and is guaranteed from the initial purchase date against all **manufacturing defects**. All other finishes including plastic component are guaranteed for one year. All electric and/or electronic parts are covered by a 1-year limited warranty.

### Customer Service

Ontario, West Canada : 888-287-5354 Quebec, Maritimes, United States : 866-473-8442