

### Features

- Compact, streamlined one-piece intelligent toilet with integrated personal cleansing.
- Elongated bowl offers added room and comfort.
- 1.08 gallons per flush (gpf).
- Advanced bidet functionality with self-cleaning wand and precision air dryer.
- Adjustable settings for heated seat, dryer and water temperature.
- Motion-activated, hands-free opening/closing of cover.
- LED lighting illuminates the bowl to serve as a nightlight.
- Stainless steel wand offers adjustable spray shape, position, water pressure, temperature, pulsate, and oscillate functions.
- Bowl is automatically misted prior to use for more effective rinsing while flushing.
- English-language touchscreen LCD remote control.
- Self-cleaning function uses UV light and electrolyzed water systems to clean the wand surfaces.
- Automatic deodorizer fan reduces odors.
- Minimum static pressure of 20 psi required.

### Technology

- Power Lite® flushing technology offers a powerful, water-efficient 1.08-gallon flush.
- Automatic flushing after every use; flush can also be controlled by the touchscreen remote or backup button.

### Installation

- Standard 12" (305 mm) rough-in.

### Recommended Products/Accessories

K-23726 Drain treatment

### Included Components

Additional Components:

LCD remote control  
Power cord  
Seat  
Supply line



### Codes/Standards

ASME A112.19.2/CSA B45.1  
ASME A112.4.2/CSA B45.16  
DOE - Energy Policy Act 1992  
EPA WaterSense®  
California Energy Commission (CEC)  
UL 1951  
CSA C22.2 No. 14  
CSA C22.2 No. 68


### KOHLER® Intelligent Toilet and C3® Cleansing Seat Three-Year Limited Warranty

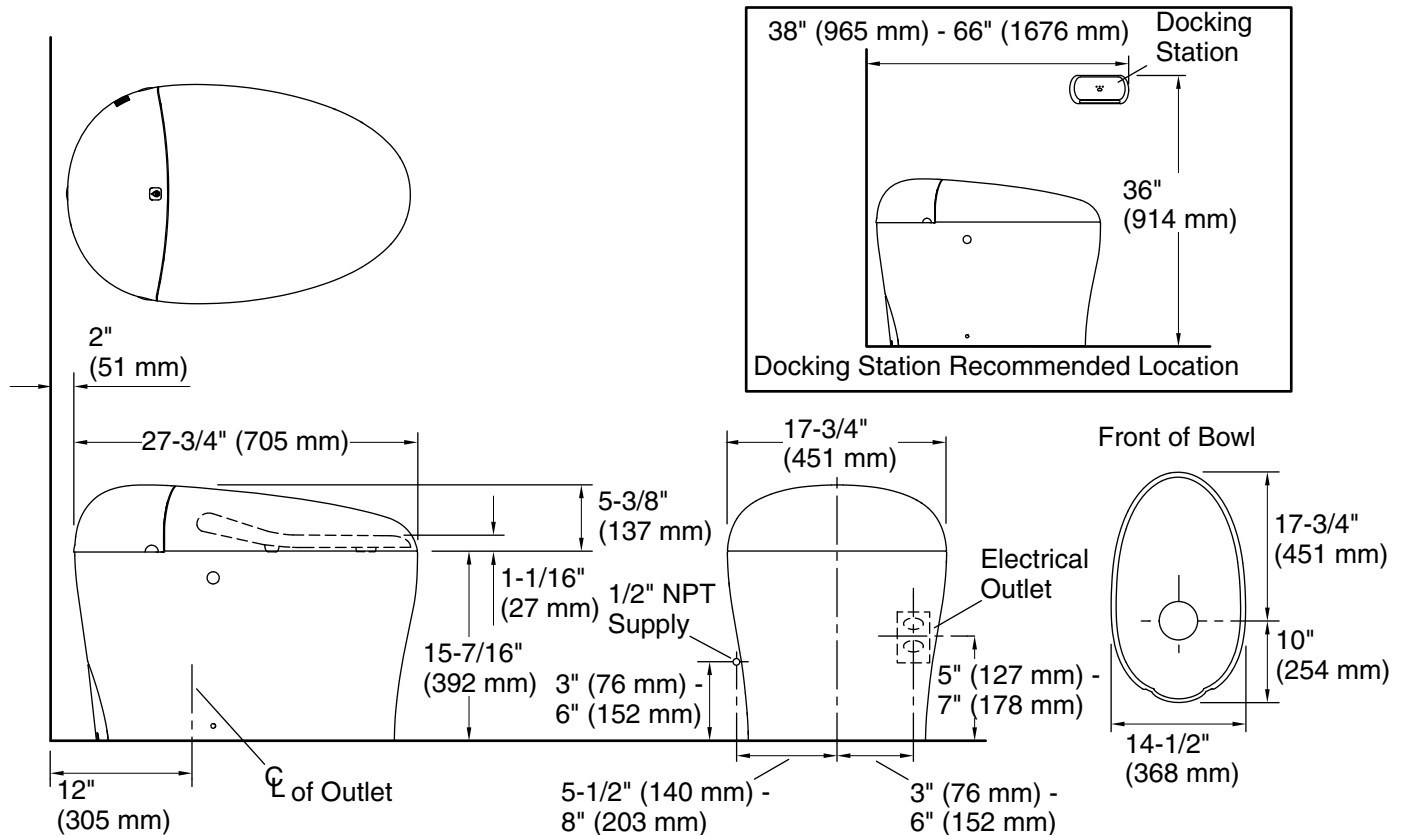
See website for detailed warranty information.

### Available Colors/Finishes

*Color tiles intended for reference only.*

Color	Code	Description
-------	------	-------------

	0	White
-------------------------------------------------------------------------------------	---	-------



## Required Electrical Service

One dedicated circuit required, protected with Class A Ground-Fault Circuit-Interrupter (GFCI). Outside North America, this device may be known as a Residual Current Device (RCD).

120 V, 15 A, 60 Hz

## Technical Information

All product dimensions are nominal.

Toilet type:	One-piece, Floor-mount
Waste Outlet:	Floor
Bowl shape:	Elongated
Trap passageway:	2-7/8" (73 mm)
Water Consumption	
Full:	1.08 gpf (4 lpf)
Water surface size:	12" x 9-1/2" (305 mm x 241 mm)
Rim to water surface:	4-7/8" (124 mm)
Rough-in:	12" (305 mm)
Seat-mounting holes:	5-1/2" (140 mm)

## Fixture Supply Requirements

Min static pressure: 20 psi (137.9 kPa)

## Notes

Install this product according to the installation instructions.

This product is designed for installation with the electrical and water supplies located through either the wall or the floor.

If the rough-in distance is less than 12" (305mm) the seat may strike the wall when it is opened. Confirm the rough-in is 12" (305 mm) before installing the toilet.