

Dominic plus Wall-mounted lavatory set - Line 85

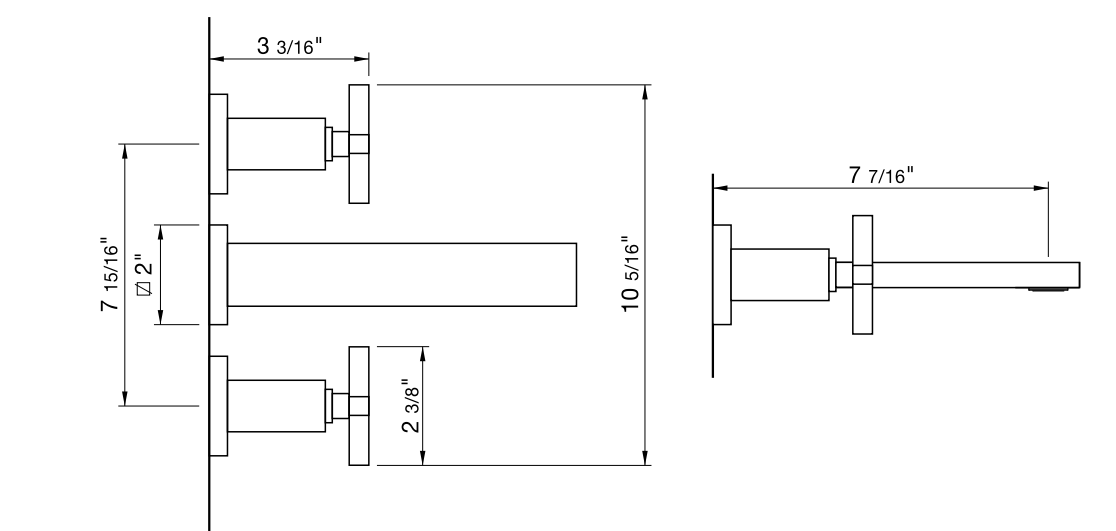
CONGRATULATIONS!
This product has been subjected to stringent tests for its quality, performance and finish. We guarantee years of trouble free operation. We thank you for your choice and above all for the trust you are placing in us. This trust is what motivates us to improve every day.

Before connecting the faucet to the water supply, flush the tubing thoroughly to eliminate any residue.

Required instalation tools

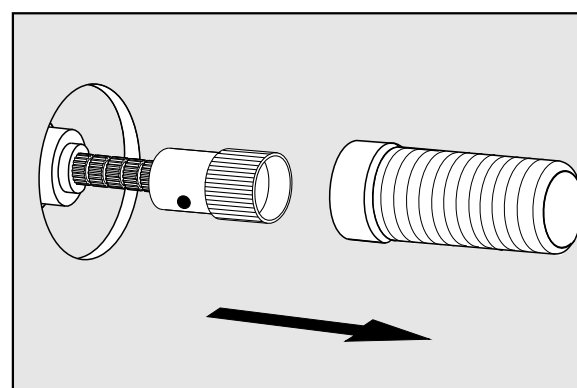
Provided	Not provided
Allen wrench (two different sizes) Handle fixation wrench	Ruler Hack saw Teflon tape

FV203/85.0

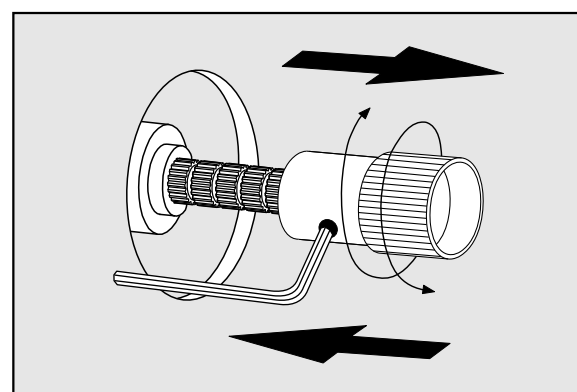


Dominic plus Wall-mounted lavatory set - Line 85

12- Remove also the brass extension.

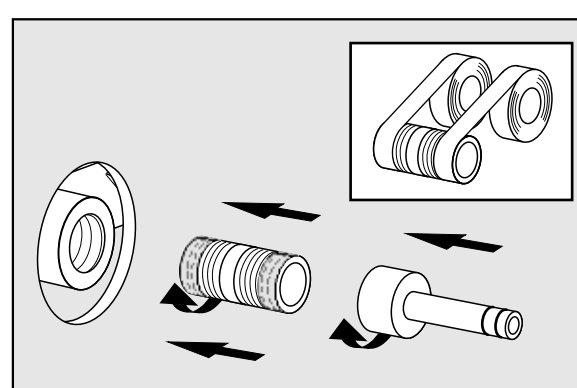


13- Remove, rotate, and reinstall the connector. And restart since point 6.

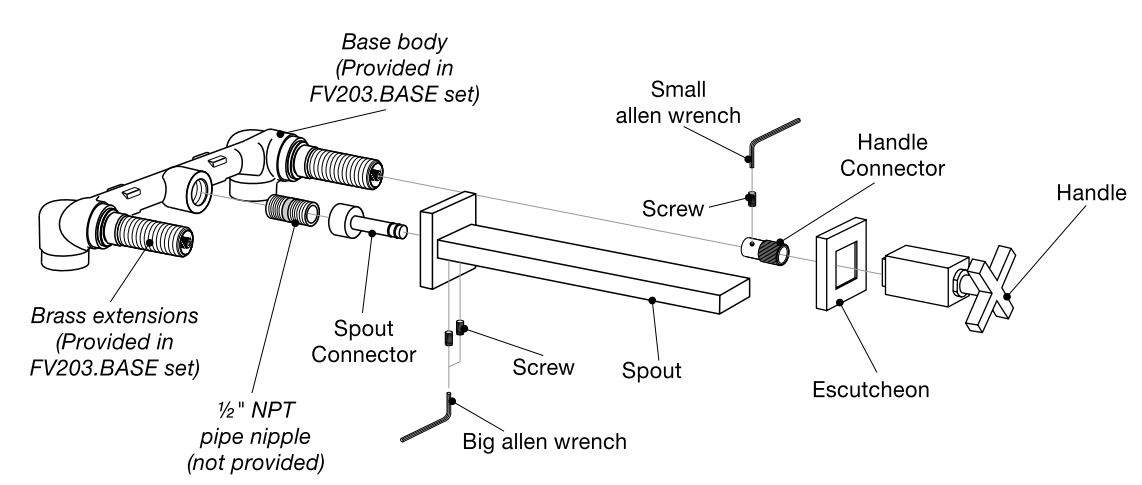


Spout instalation:

14 - Use the 1/2" NPT pipe nipple connector to engage the FV203.BASE body with the spout connector.
Remember to apply sealant tape to the pipe nipple.



Dominic plus Wall-mounted lavatory set - Line 85

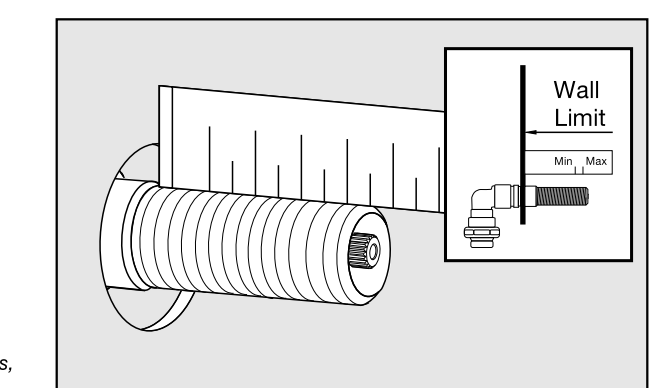


Installation Instructions

1- Make sure to place the valve with supply inlets pointed downward. The brass extension is already threaded onto the FV203.BASE body. It can be removed and trimmed using a saw along the provided groove, if necessary.

Handle instalation:

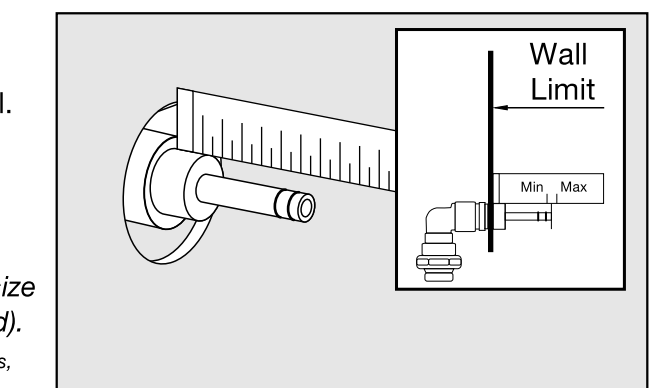
2 - Once the valve's placed, use a ruler to check and measure the maximum and minimum distances.
MIN : 7/8" (22,2 mm)
MAX : 1" (25,4 mm)
If the min/max is correct continue directly to point 4.



*Maximum and minimum distances are in millimeters, measurements in inches are for reference only.

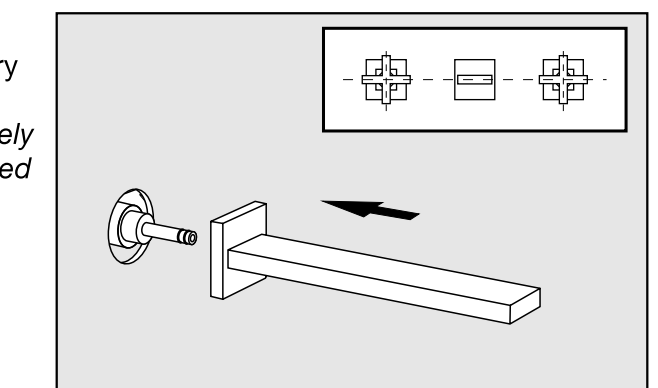
Dominic plus Wall-mounted lavatory set - Line 85

15 - Once placed the spout connector use a ruler to check the installation distance against the wall.

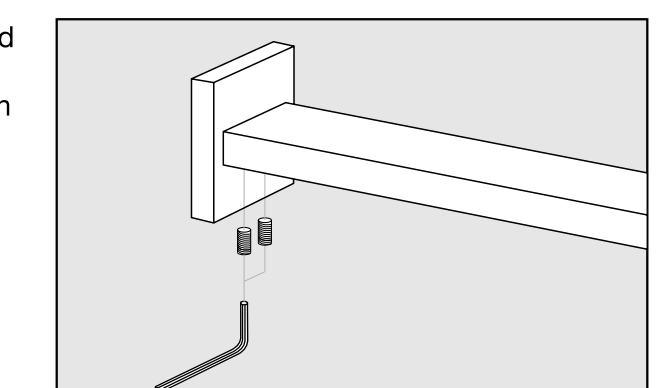


MIN: 1 1/4" (32 mm)
MAX: 1 3/4" (45 mm)
According to the measured distance could be necessary to choose other size of the "NPT pipe nipple" (not provided).
*Maximum and minimum distances are in millimeters, measurements in inches are for reference only.

16 - To install the spout place it on the spout connector (is not necessary to thread it).
Make sure the spout matches paralely with the horizontal line wich was used to place all the pieces of the FV203/85.0 set.

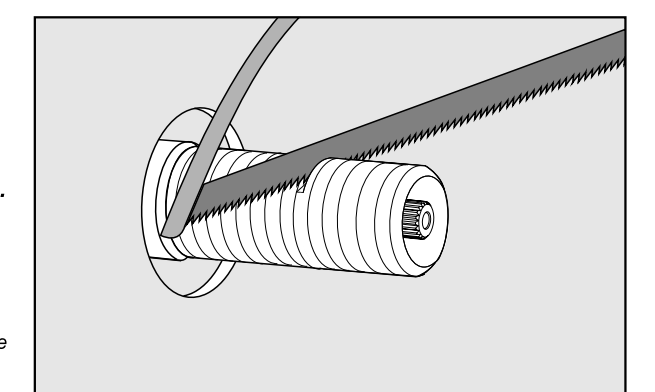


17 - Once the spout is on the wished position, tight it with the big allen wrench using the screws located on the lower face of the spout, near to the escutcheon.



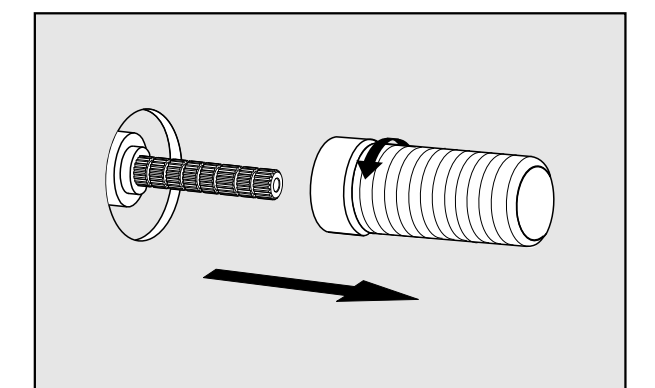
Dominic plus Wall-mounted lavatory set - Line 85

3 - If the measured distance exceeds the "max" value it's necessary to trim brass extension and valve stem (together).
Both parts are trimable with hacksaw.

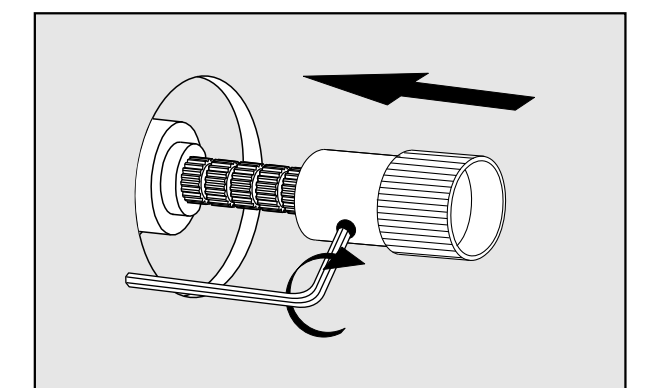


*Optional extension kit (not included) to use when valve is installed deeper than normal. Contact your dealer to purchase extension kit.

4 - Remove the brass extension.



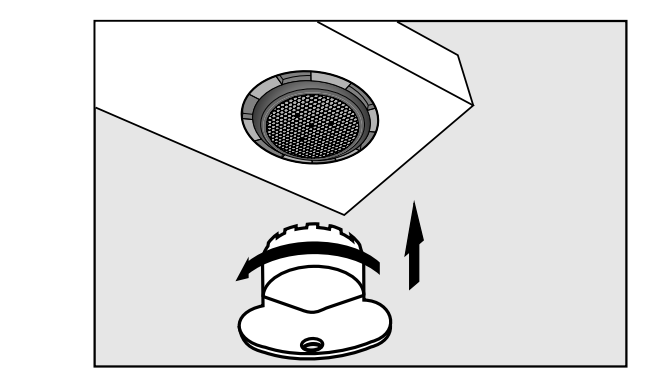
5- Place the connector and tighten it with the provided small allen wrench as shown in the picture.



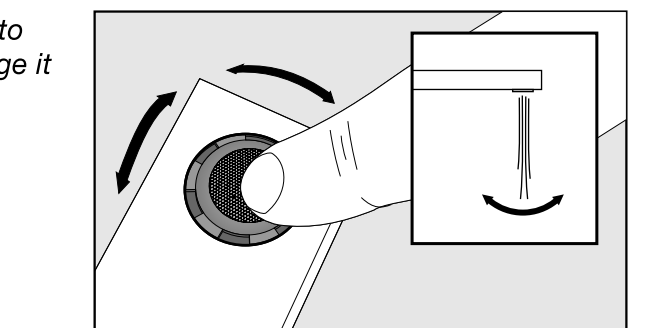
Dominic plus Wall-mounted lavatory set - Line 85

Nozzle usage instructions:

To clean the nozzle use the provided key to take it out.

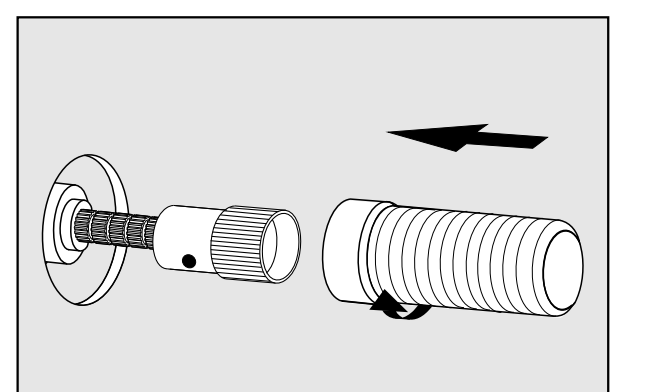


The nozzle position can be modified to change waterflow direction. To change it push the nozzle with your finger.

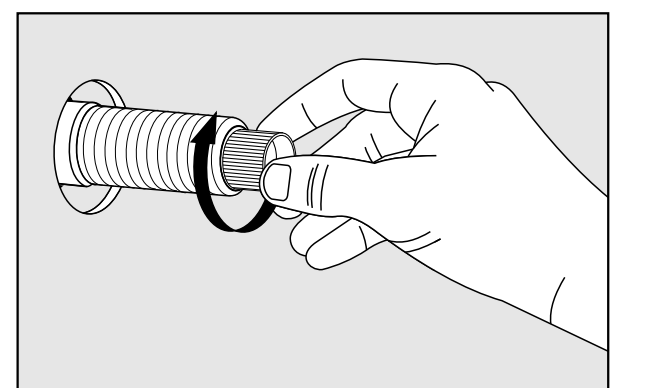


Dominic plus Wall-mounted lavatory set - Line 85

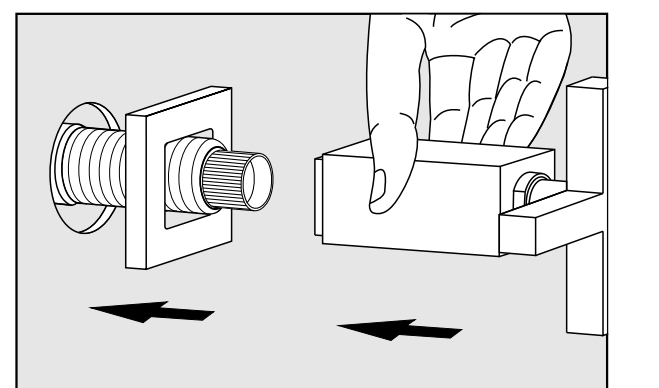
6 - After tightening the connector, place the brass extension.



7 - Once adjusted the brass extension, put the valve on its "off" position.
-To close "hot" valve turn clockwise
-To close "cold" valve turn counter clockwise

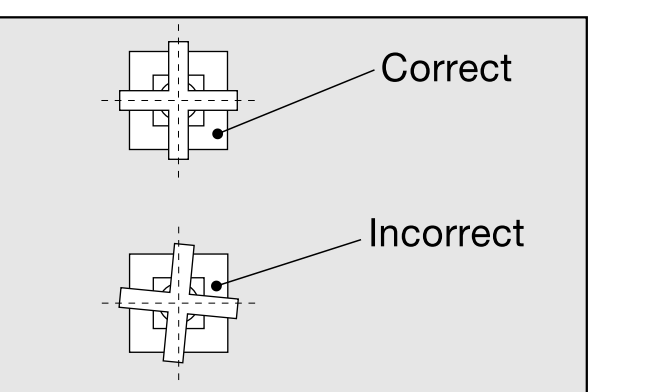


8- Place escutcheon and handle on the brass extension.

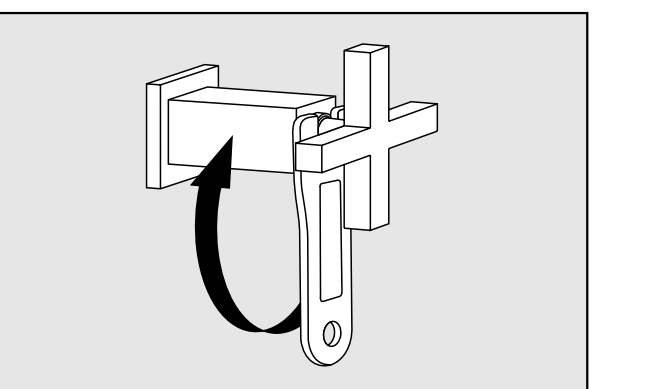


Dominic plus Wall-mounted lavatory set - Line 85

9 - After placing the handle you must control the installation position (see picture).

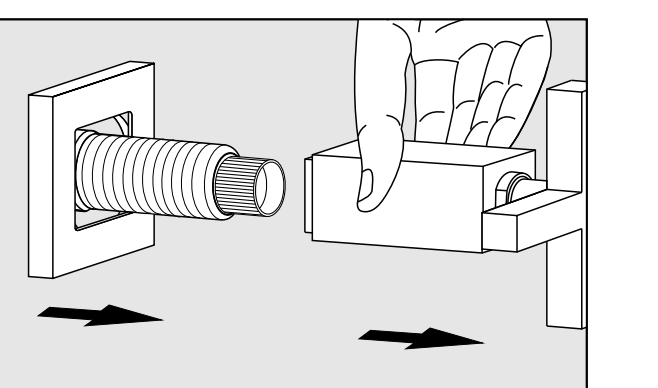


10 -Once the handle is on position, use the provided wrench to adjust the escutcheon.
Make sure the escutcheon matches paralely with the handle.



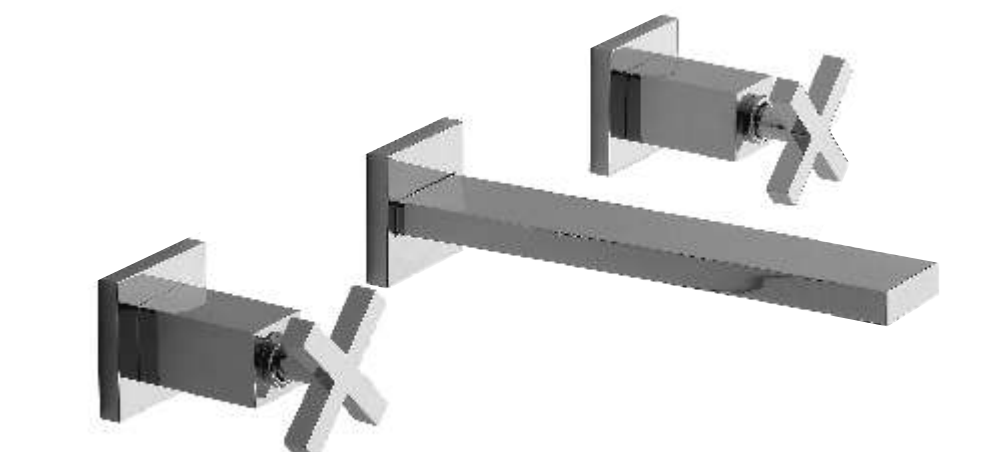
To correct handle position:

11 - If the handle isn't in the correct position remove it.



FRANZ VIEGENER
a FV S.A. Company
4000 Porett Drive • Gurnee Illinois 60031
Phone 847-244-1234 / Fax 847-244-1238
FRANZ VIEGENER reserves the right to make revisions without notice in the design of faucets and bathroom accessories or in packaging.
FOLFV203/85.0 7 Edition No 1 - June, 2010

FRANZ VIEGENER
Dominic plus
installation and maintenance



Mod.	Fecha	Elaborado	Aprobado	Edición	Modificaciones	Fecha	Elaborado	Aprobado
1	22/06/2010	S. Sola		1				

Especificaciones
Materia: Papel Obra de primera.
Impresión: 1 Color, Negro, Frente/Dorso
Medidas: 807 x 210 mm
 (Dibujo esc.: 1:1)

Denominación
Folleto instalación FV203/85.0
 (EE.UU.)

Edición
FOLFV203/85.0
 S. Sola
 S. Sola