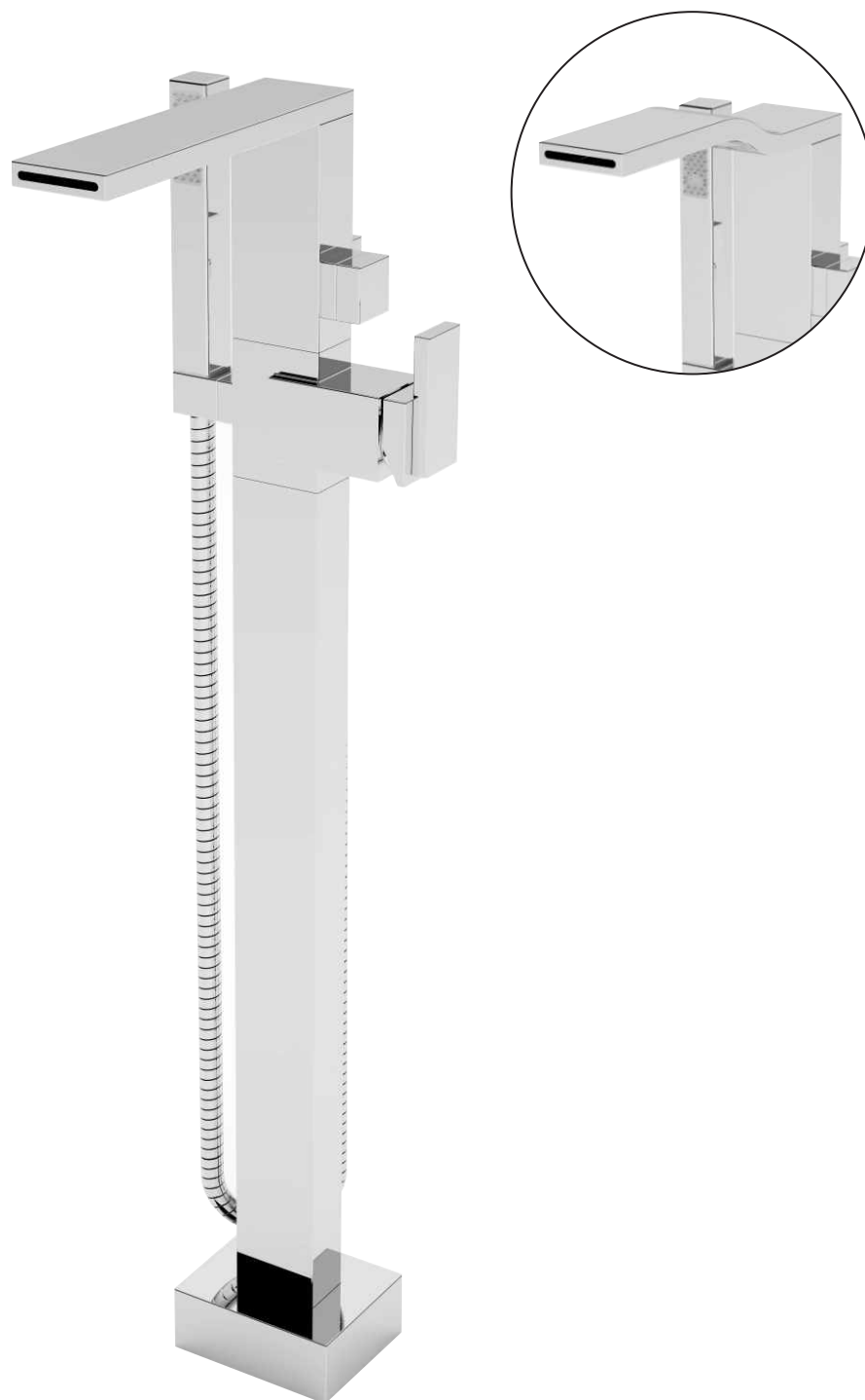


FRANZ VIEGENER

FREESTANDING

i n s t a l l a t i o n



FV215/J3.0
FV215/J9.0

FREESTANDING TUB FILLER FAUCET - TRIM ONLY

CONGRATULATIONS !

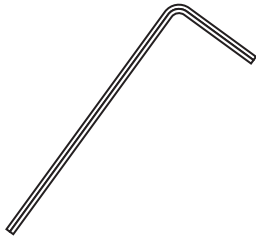
This product has been subjected to stringent tests for its quality, performance and finish. We guarantee years of trouble free operation.

We thank you for your choice and above all for the trust you are placing in us. This trust is what motivates us to improve every day.

Before connecting the faucet to the water supply, flush the tubing thoroughly to eliminate any residue.

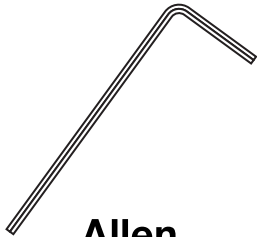
Required installation tools.

Provided.



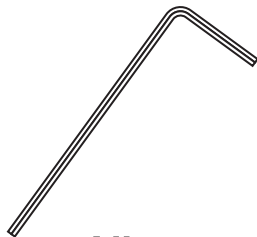
**Allen
wrench.**

(2,5 mm)



**Allen
wrench.**

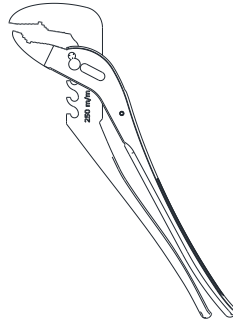
(4 mm)



**Allen
wrench.**

(6 mm)

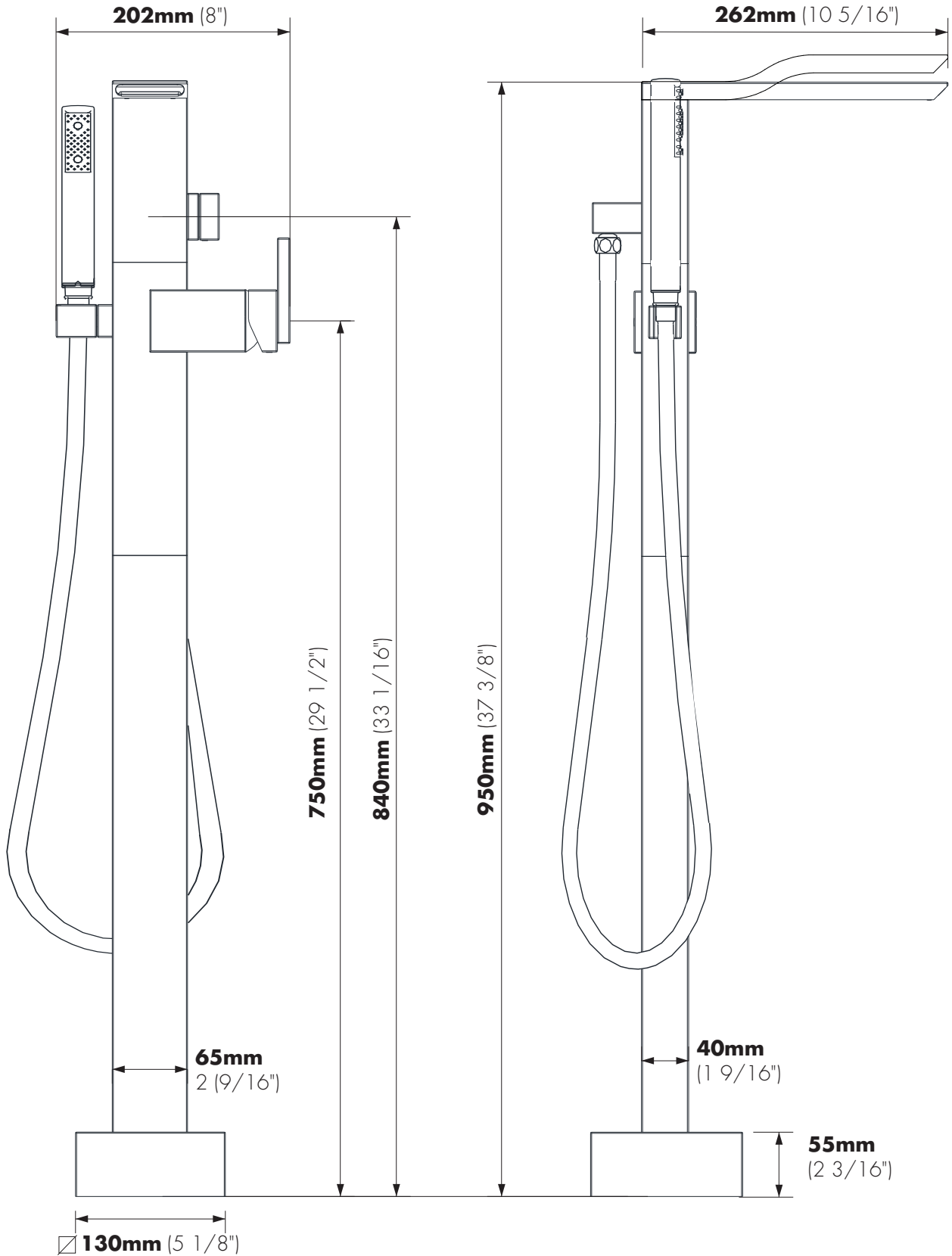
Not provided.



Channellock.

FREESTANDING TUB FILLER FAUCET - TRIM ONLY

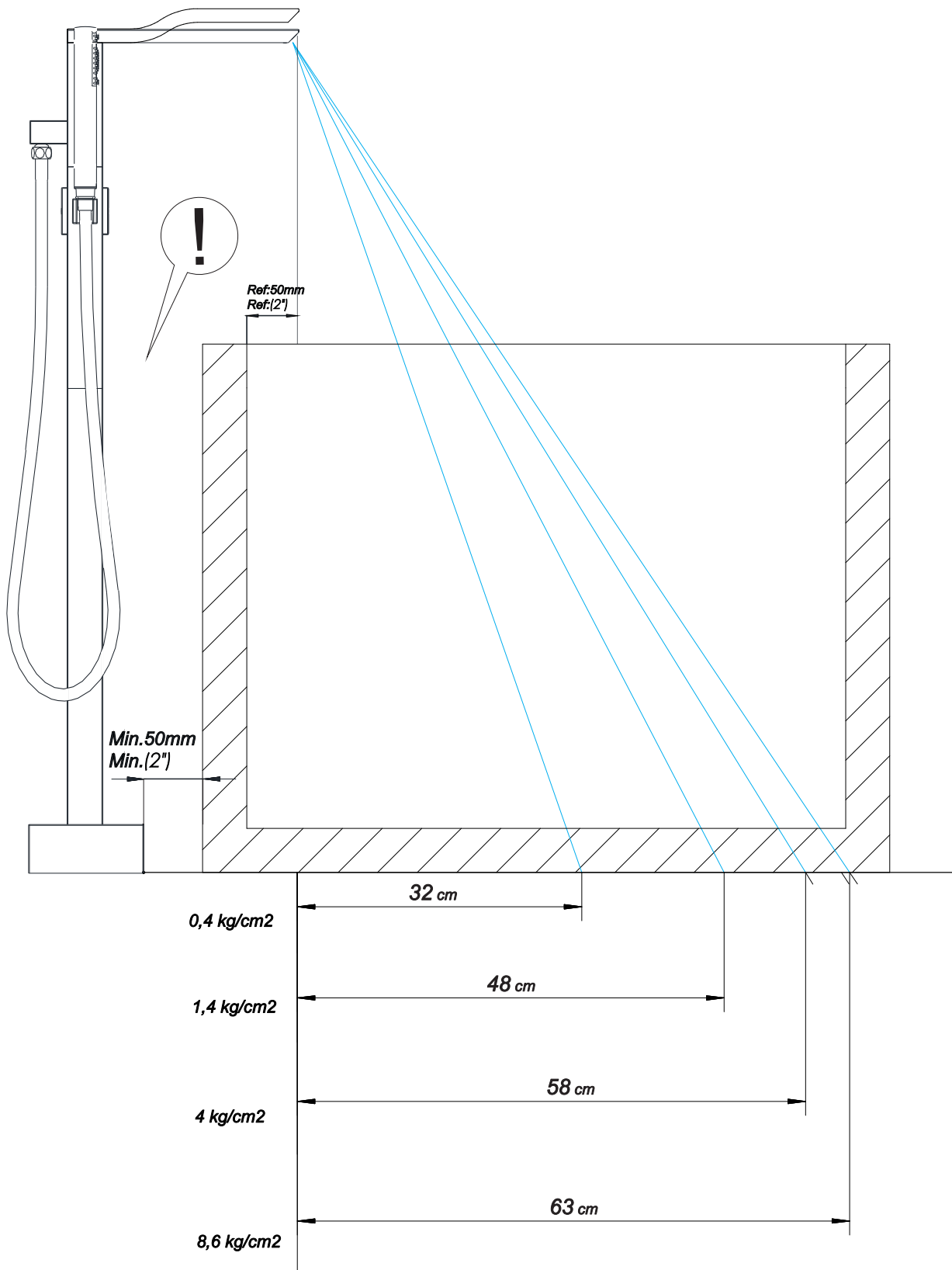
FV215/J3.0-J9.0 Freestanding trim only Measures



FR215/J3.0-J9.0

Installation example

Measures



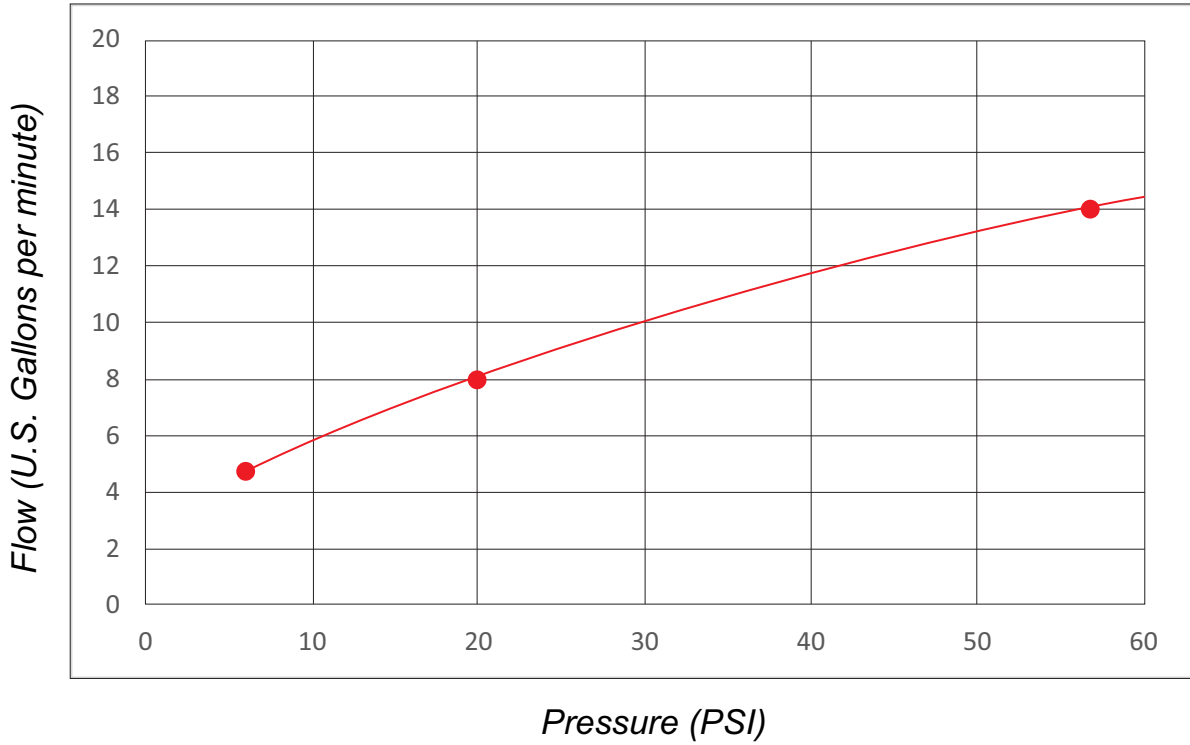
FREESTANDING TUB FILLER FAUCET - TRIM ONLY

FV215/J3.0-J9.0

Technical data

Minimum outlet flow rate at constant pressure 20 PSI and minimum feed flow rate of 17 gal. per minute: 8 gal. per minute

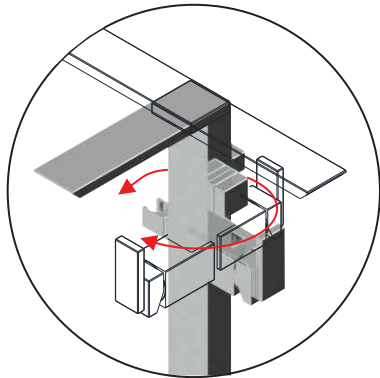
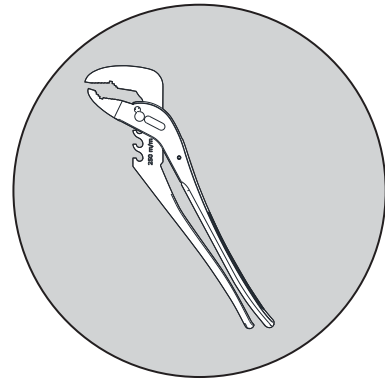
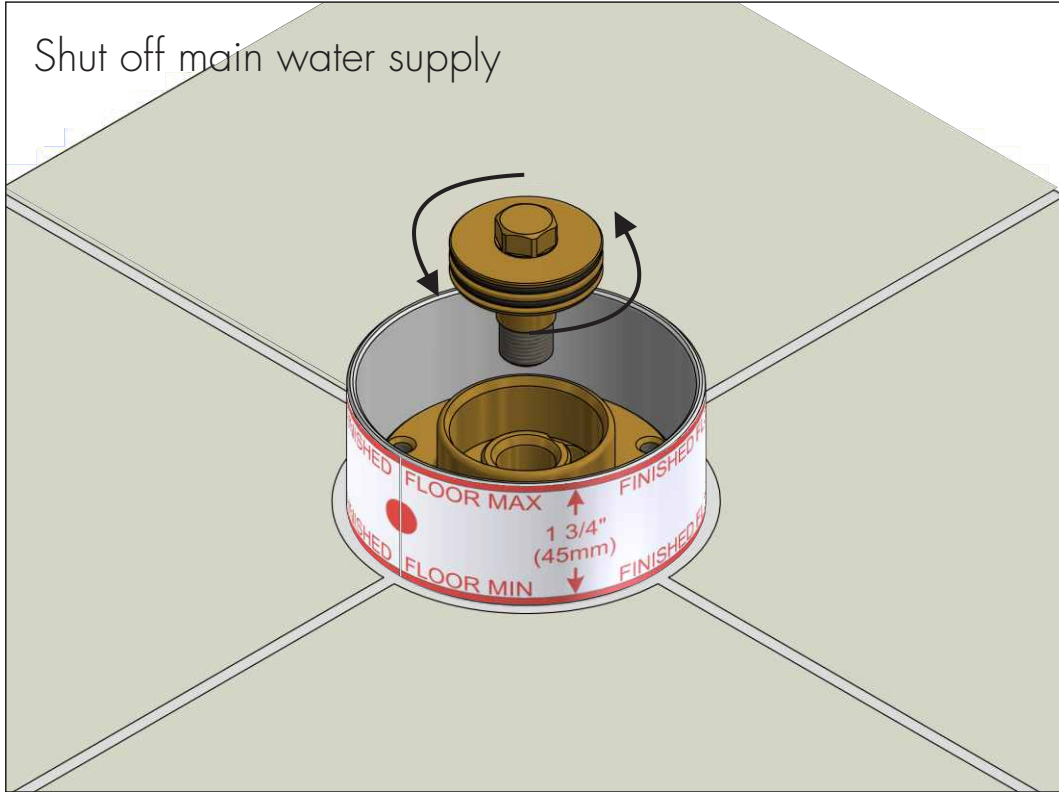
Flow table



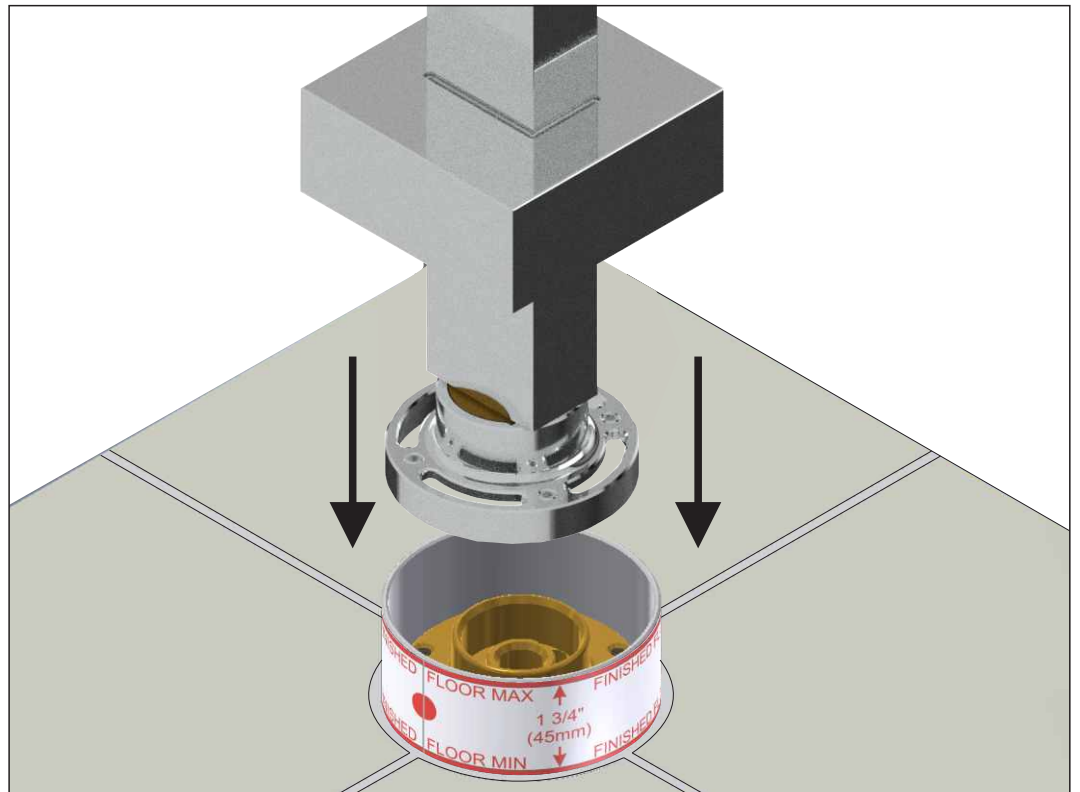
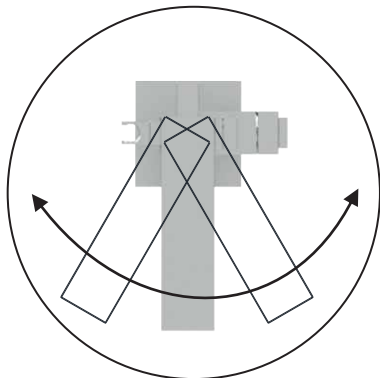
FREESTANDING TUB FILLER FAUCET - TRIM ONLY

FR215/J3.0-J9.0

Mounting Freestanding

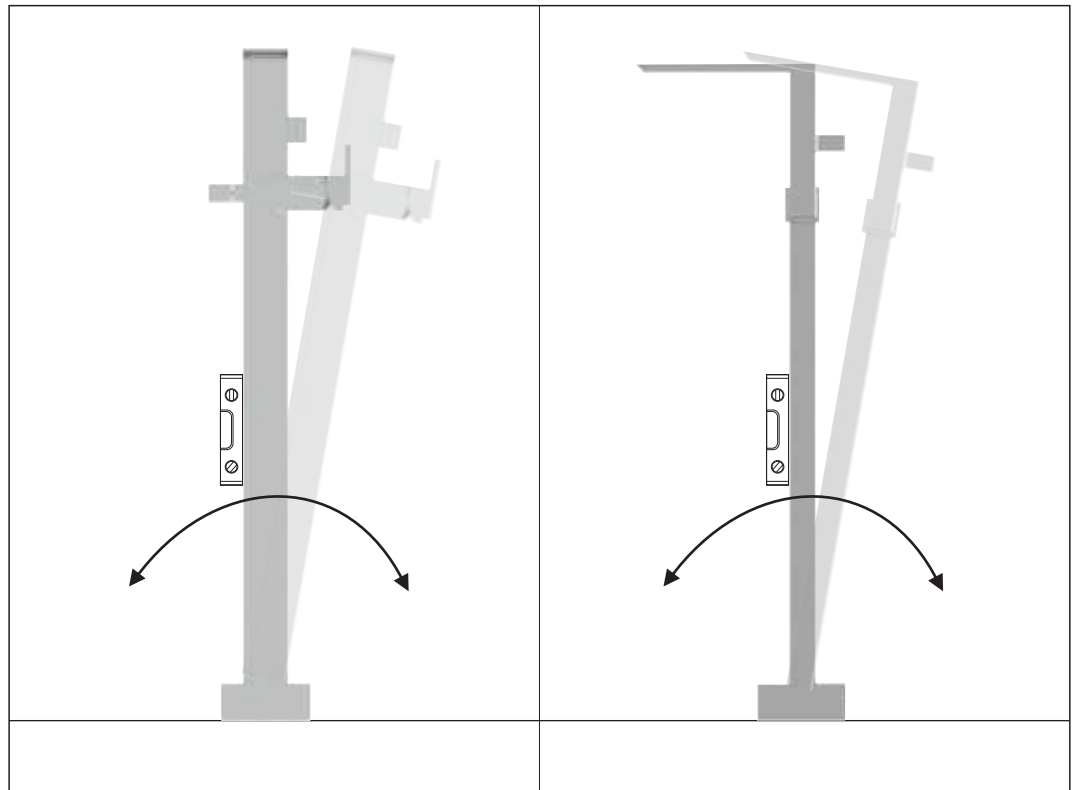
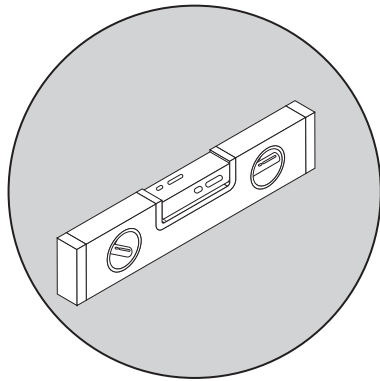
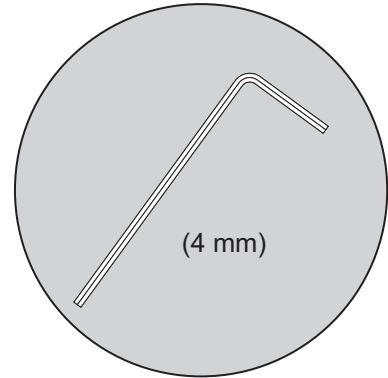
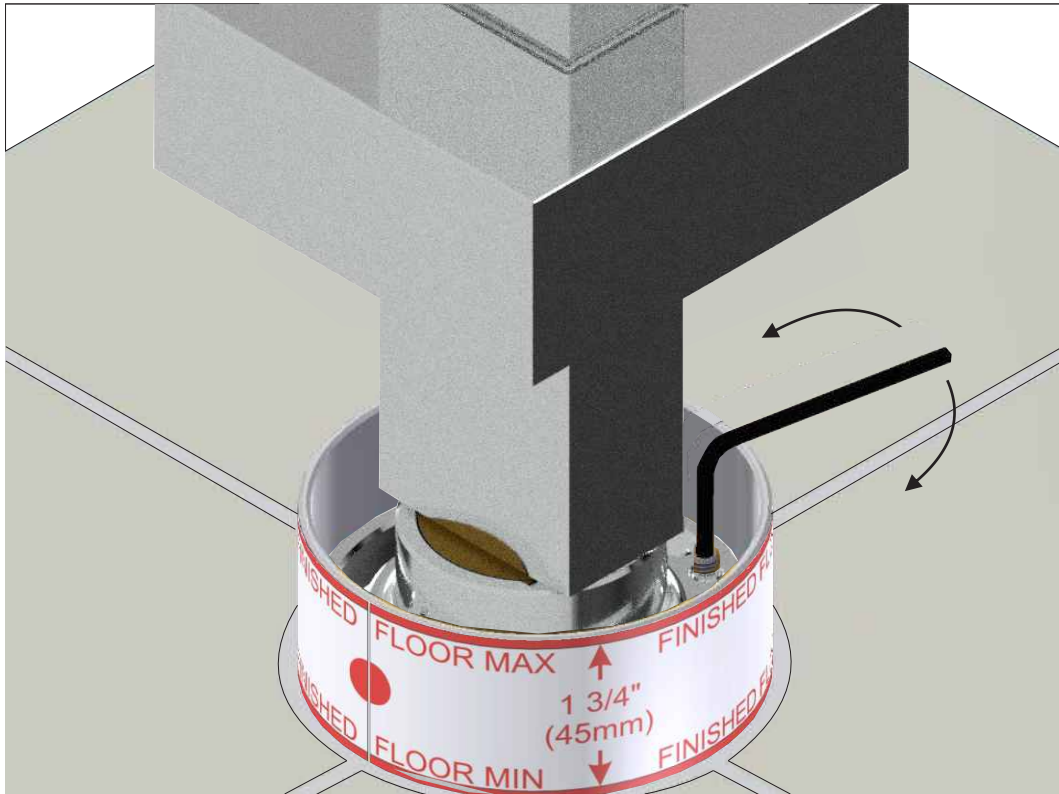


360° Rotating
Adjustable Position



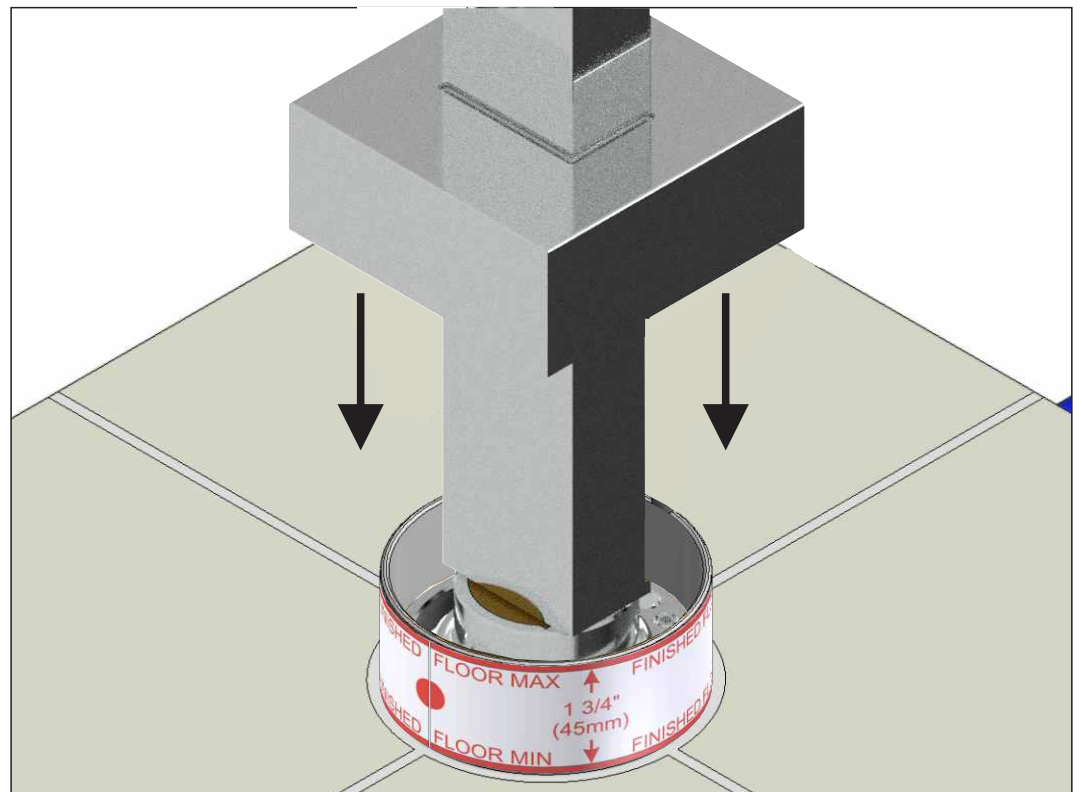
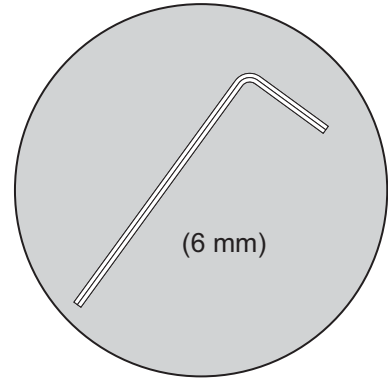
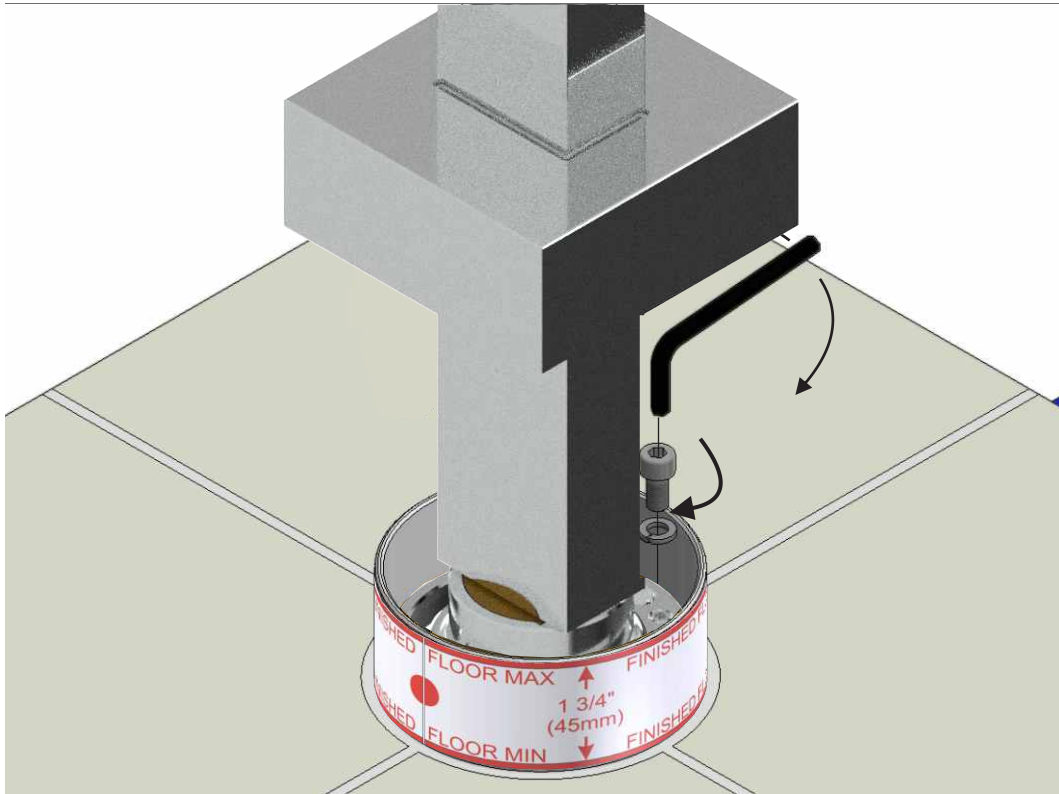
FREESTANDING TUB FILLER FAUCET - TRIM ONLY

Vertical Level

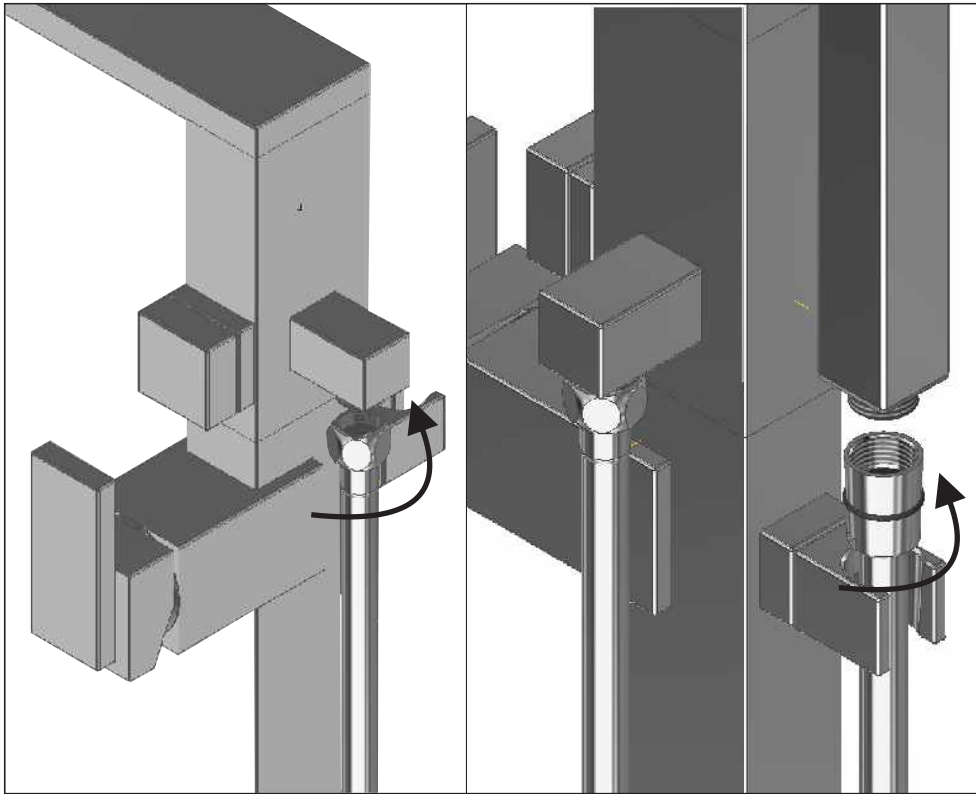


FREESTANDING TUB FILLER FAUCET - TRIM ONLY

Final adjust



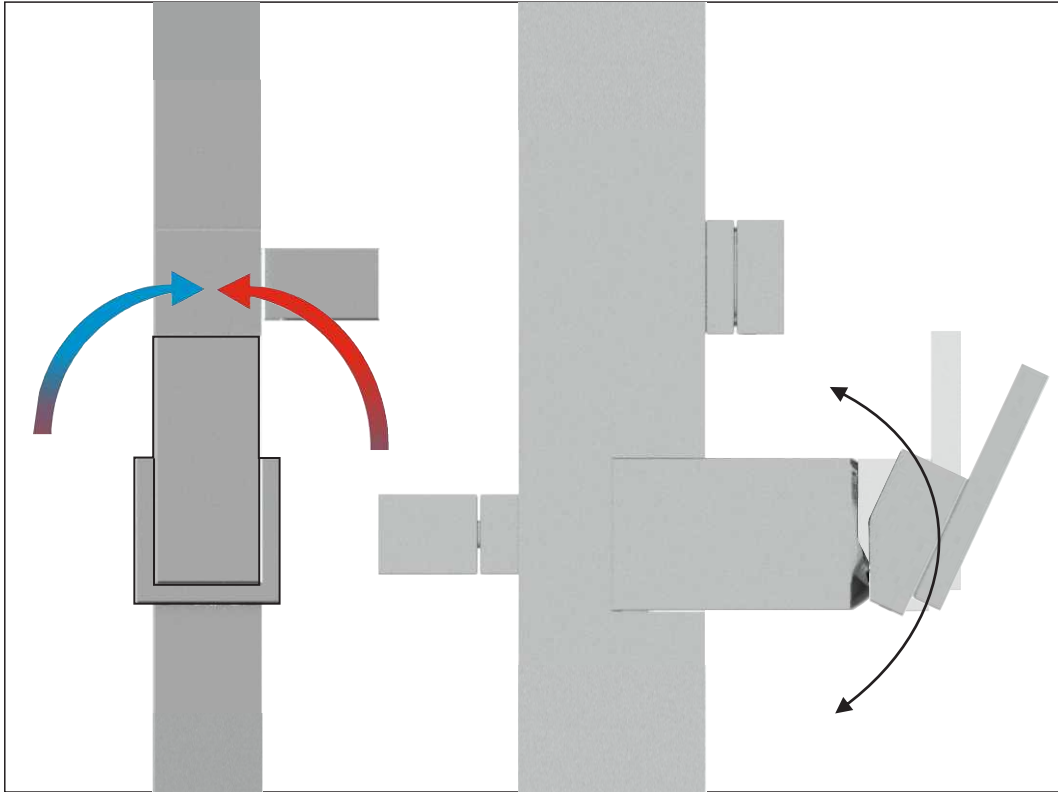
FREESTANDING TUB FILLER FAUCET - TRIM ONLY



Installation is now complete.
Turn on main water supply.

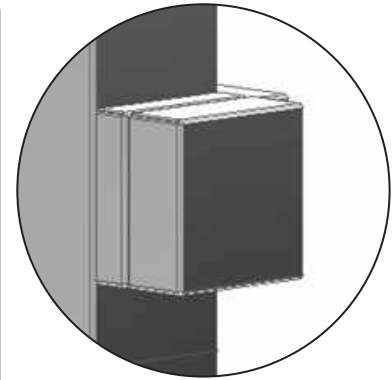
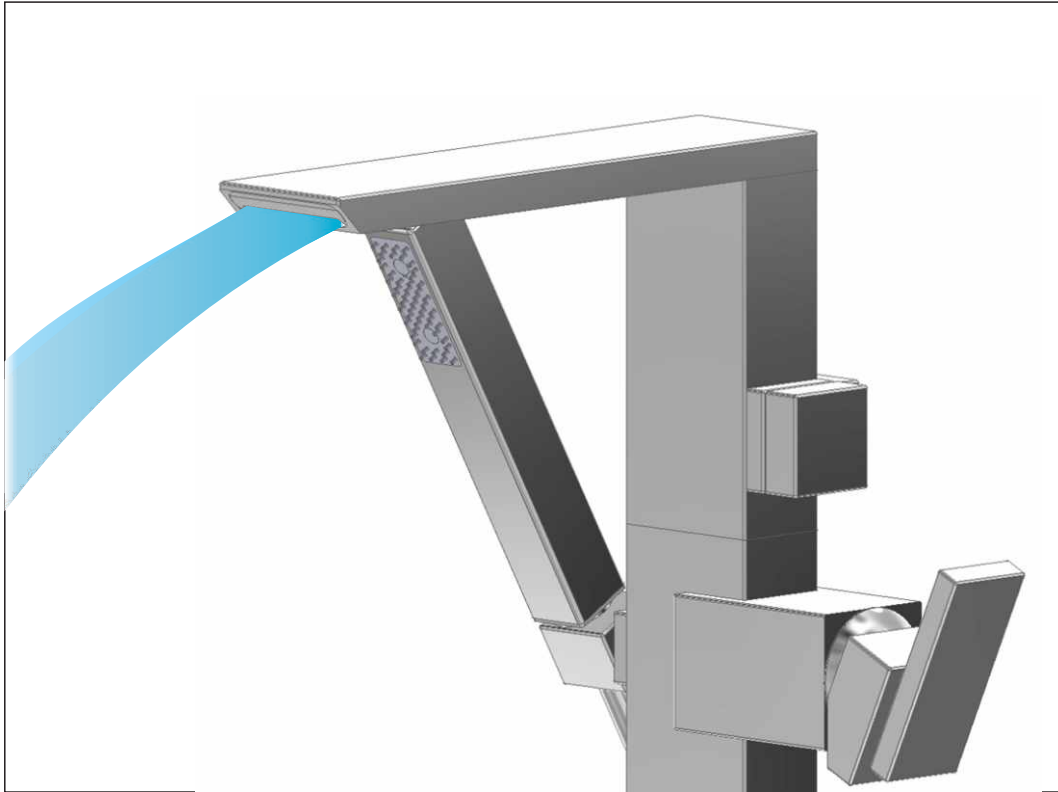
FREESTANDING TUB FILLER FAUCET - TRIM ONLY

Function

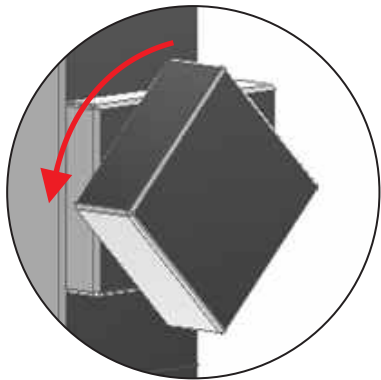


FREESTANDING TUB FILLER FAUCET - TRIM ONLY

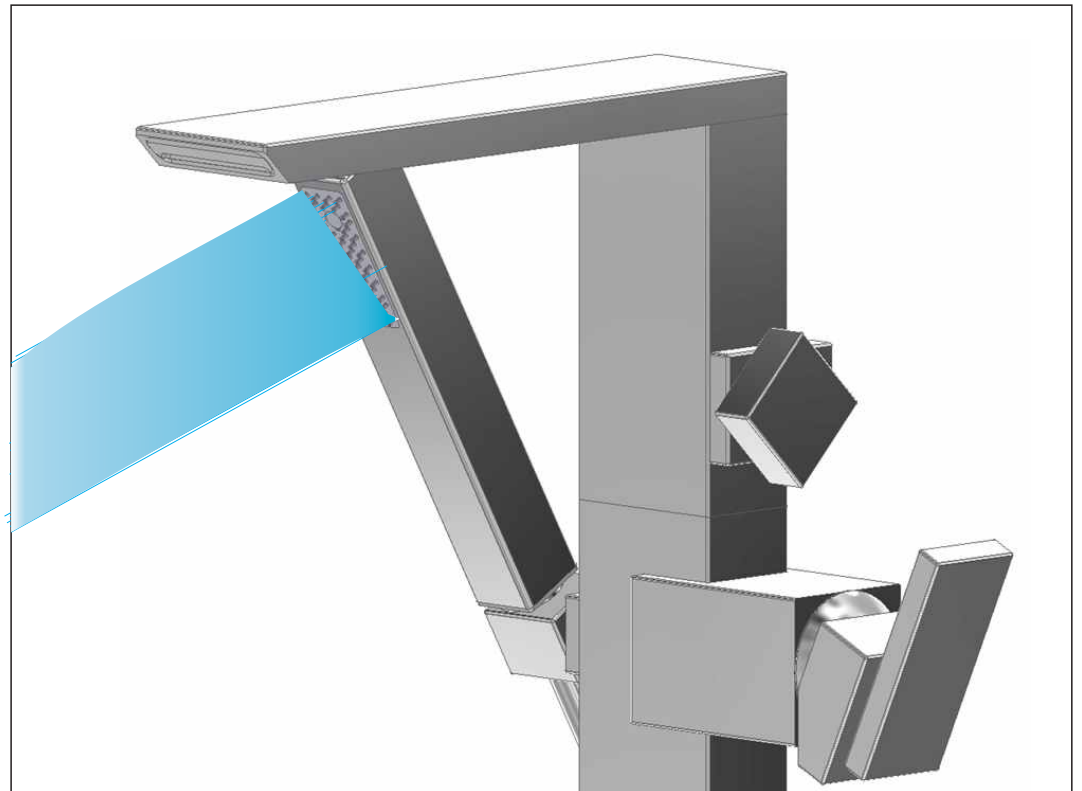
Diverter Position



Spout Flow



Handshower Flow



FREESTANDING TUB FILLER FAUCET - TRIM ONLY

FRANZ VIEGENER

A FV S.A. company.

4000 Porett Drive • Gurnee Illinois 60031

Phone 847-244-1234 / Fax 847-244-1259

FRANZ VIEGENER reserve the right to make revisions without notice in the design of faucets and bathroom accessories or in packaging.
FOLLFV215/J3.0-J9.0 / May, 2017
