

KALLISTA®

Bridgeton® Two-Piece Toilet

FEATURES

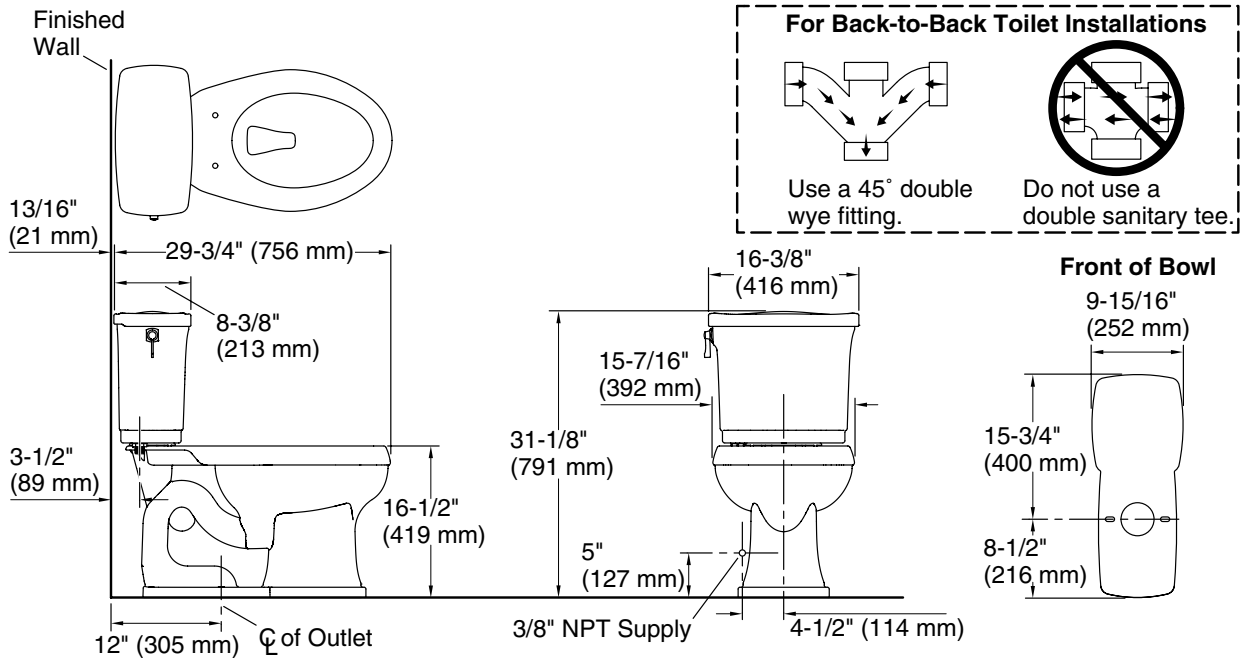
- Vitreous china
- Elongated bowl
- Two-piece; chair-height seating
- 1.28 gpf (4.8 lpf)
- 2-1/8" (54 mm) glazed trapway
- Includes polished chrome plated brass trip lever

CODES/STANDARDS APPLICABLE

Specified model meets or exceeds the following:

- ADA
- ICC/ANSI A117.1
- ASME A112.19.2/CSA B45.1
- EPA WaterSense®

P70301, P70302,
Combination P70300



INSTALLATION NOTES

Will comply with the American Disabilities Act (ADA) when installed per the requirements of the Accessibility Guidelines, Section 604 Water Closets, of the Act. The Model Plumbing Codes require the installation of elongated open-front toilet seats in public bath rooms.

For back-to-back toilet installations: Use only a 45° double wye fitting.

The model is acceptable for left-hand Accessible compartment installations only.

PRODUCT INFORMATION

Fixture:	
Configuration	Two-piece, elongated
Water per flush	1.28 gal (4.8 L)
Passageway	2-1/8" (54 mm)
Water area	10-1/2" (267 mm) x 7-7/8" (200 mm)
Water depth from rim	6-3/8" (162 mm)
Seat post hole centers	5-1/2" (140 mm)

SPECIFIED MODEL

Model	Description	Finishes	
P70300-00	Bridgeton Two-Piece Toilet	<input type="checkbox"/> 0 Stucco White	
P70301-00	Bridgeton Toilet Bowl	<input type="checkbox"/> 0 Stucco White	
P70302-00	Bridgeton Toilet Tank	<input type="checkbox"/> 0 Stucco White	
Recommended Accessories			
P70303-CP, AD, AG, BL, PB or BV	Classic Toilet Seat with Finished Brass, Slow-Close Hinges	<input type="checkbox"/> 0 Stucco White	
Optional Accessories			
P70304-00	Classic Trip Lever Finish Upgrade	<input type="checkbox"/> AD Nickel Silver	<input type="checkbox"/> AG Brushed Nickel
		<input type="checkbox"/> BV Brushed Bronze	<input type="checkbox"/> SN Polished Nickel

We reserve the right to make revisions without notice in the design of products or in packaging unless this right has specifically been waived at the time the order is accepted.