



2-way Type T (thermostatic) coaxial floor-mount tub filler with hand shower

PB39



UPC®

Specifications

Composition

- RHFS - Floor-mount tub filler rough
- TPB39C - 2-way Type T (thermostatic) coaxial floor-mount tub filler with hand shower trim

Available flow

- 23 L/min, 6.0 gpm (US) 60psi

Certifications

- CSA B125.1
- ASME A112.18.1
- ASSE 1016

Warranty

This **Riobel Inc.** product you have purchased carries a Limited Lifetime Warranty on the chrome, PVD finish, blacks and all working parts and is guaranteed from the initial purchase date against all manufacturing defects. All other finishes, including plastic components, are guaranteed for one year. All electric and/or electronic parts are covered by a 5-year limited warranty.

Customer Service

Ontario, West Canada : 888-287-5354 Quebec, Maritimes, United States : 866-473-8442



Floor-mount tub filler rough
RHFS



cUPC®

Specifications

Descriptions

- Rough only
- ½" inlet male NPT
- Test cap
- Drilling hole diameter = 2 1/2 (63mm)

Available colors

- :

Certifications

- CSA B125.1
- ASME A112.18.1
- CMR248 Approval

Warranty

This **Riobel Inc.** product you have purchased carries a Limited Lifetime Warranty on the chrome, PVD finish, blacks and all working parts and is guaranteed from the initial purchase date against all manufacturing defects. All other finishes, including plastic components, are guaranteed for one year. All electric and/or electronic parts are covered by a 5-year limited warranty.

Customer Service

Ontario, West Canada : 888-287-5354 Quebec, Maritimes, United States : 866-473-8442

2020.09.17



2-way Type T (thermostatic) coaxial floor-mount tub filler with hand shower trim

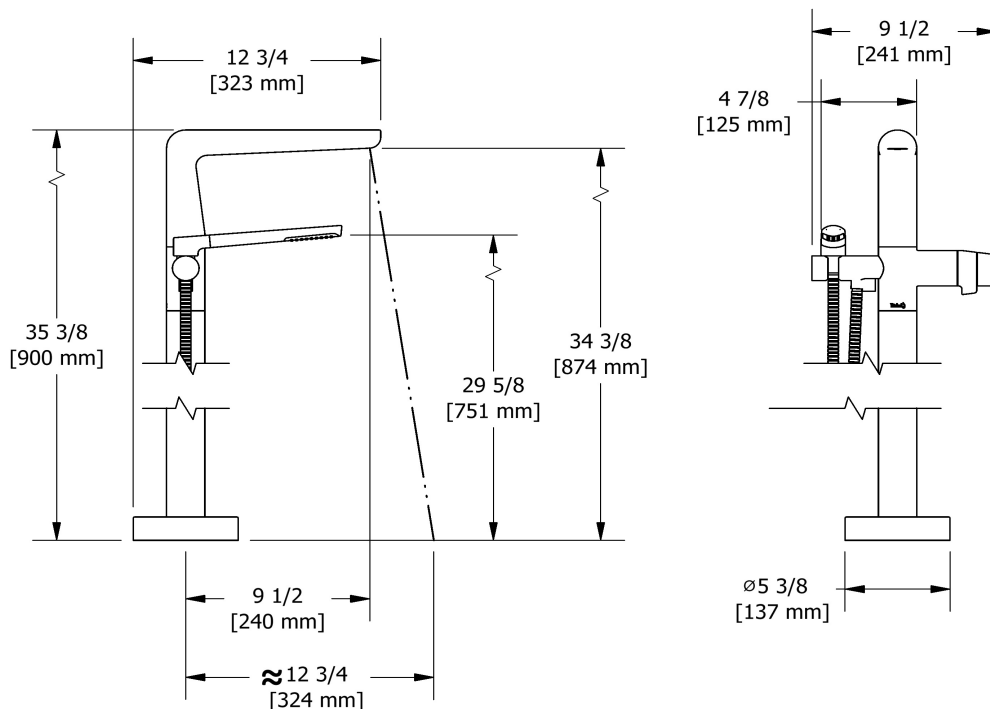
TPB39



Specifications

Descriptions

- 2 check valves
- 1-jet hand shower/scale-free
- Thermostatic coaxial cartridge with check valves
- Trim only



Sizes, models and finishes may differ from those presented.

Warranty

This **Riobel Inc.** product you have purchased carries a Limited Lifetime Warranty on the chrome, PVD finish, blacks and all working parts and is guaranteed from the initial purchase date against all manufacturing defects. All other finishes, including plastic components, are guaranteed for one year. All electric and/or electronic parts are covered by a 5-year limited warranty.

Customer Service

Ontario, West Canada : 888-287-5354 Quebec, Maritimes, United States : 866-473-8442