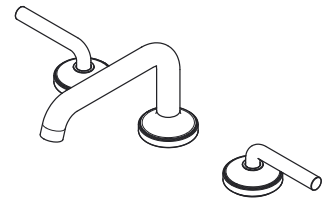


8"-15" Widespread Lavatory Faucet



- LG49-TNTC Finish(C)
- LG49TNTK Finish(K)
- LG49-TNTB Finish(B)
- LG49-TNTBG Finish(BG)

Specifications

- All Metal Construction
- Pforever Seal

Features

- 1.2 GPM Flow Rate
- 1/4 Turn Brass Cartridges
- 3-Hole Installation
- All Metal Construction
- Includes All Metal Push & Seal™
- Quick Connect Hose Assembly
- Laminar Flow
- Optional Crosshandle Available, Order HHL-049-TNT* Separately
- Pforever Seal Ceramic Disc Valves
- Pforever Warranty®

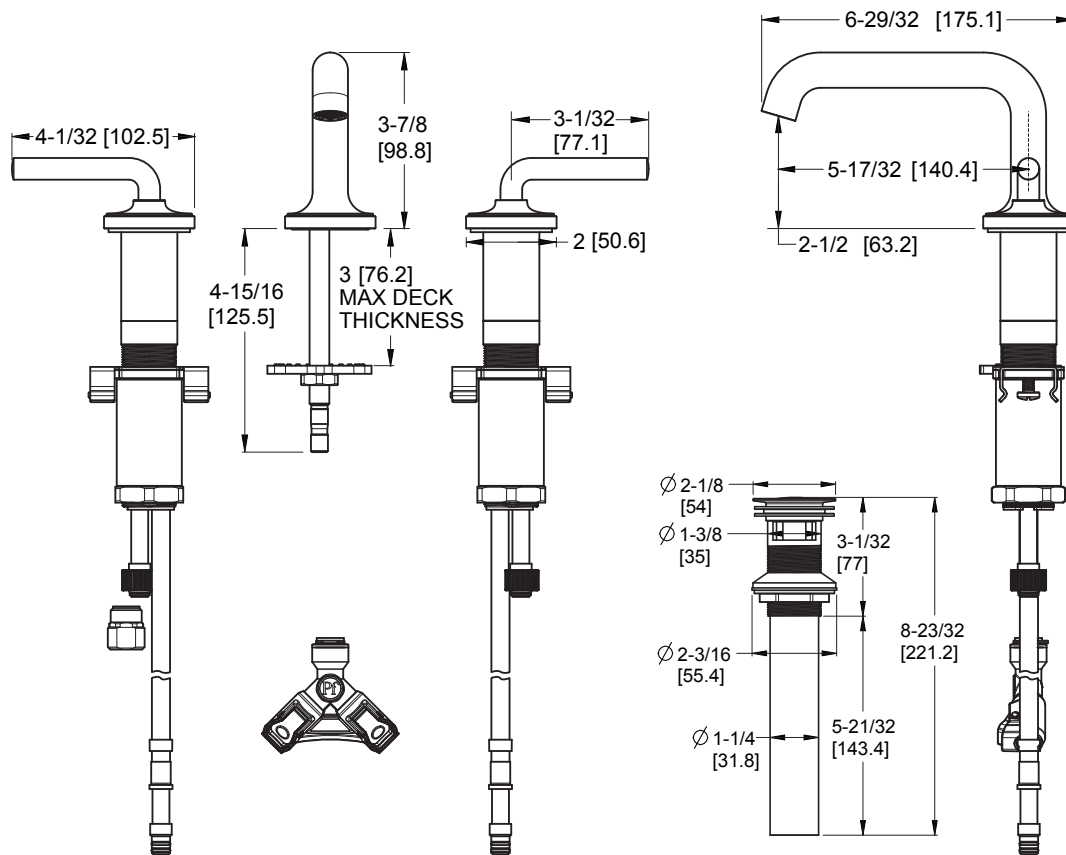
Code Compliance

Pfister products are designed and manufactured in compliance with the following standards and codes:

- IAPMO Certified
- CSA B125 Certified
- ASME A112.18.1
- cUPC
- NSF 61/9 & 372
- Cal Green Compliant
- CEC Compliant
- EPA WaterSense Certification 1.2 gpm, 4.5L/Min
- ADA Compliant-ANSI A117.1 (Lever handles only)



Dimensions



Ø1-1/4 Min to Ø1-1/2 Max. Deck Hole Openings

Push & Seal™